

Houses and Low Rise Multi Residential PowerPanel⁵⁰ External Walls

VERTICAL & HORIZONTAL
INSTALLATION GUIDE



CONTENTS

This Design and Installation Guide has been prepared as a source of information to provide general guidance to consultants – and in no way replaces the services of the professional consultant and relevant engineers designing the project.

It is the responsibility of the architectural designer and engineering parties to ensure that the details in this Design and Installation Guide are appropriate for the intended application.

The recommendations of this guide are formulated along the lines of good building practice, but are not intended to be an exhaustive statement of all relevant data.

Introduction	1
1. Design and selection details	3
1.1 Designing an external wall using Hebel PowerPanel ⁵⁰	3
1.2 Structural provisions	4
1.3 Design & detailing considerations	6
1.4 Durability	8
1.5 Fire resistance performance	10
1.6 Energy efficiency	11
1.7 Coating requirements	14
1.8 Weatherproofing	15
2. Hebel houses and low rise multi residential PowerPanel⁵⁰ external walls – Vertical installation	16
2.1 System components	18
2.2 Design tables	20
2.3 Thermal performance	23
2.4 Installation overview	25
2.5 Tools and equipment	26
2.6 Installation of services	26
2.7 External aluminium render bead	26
2.8 Construction details – overview	27
2.9 Construction details	29
3. Hebel houses and low rise multi residential PowerPanel⁵⁰ external walls – Horizontal installation	47
3.1 System components	48
3.2 Design tables	50
3.3 Thermal performance	51
3.4 Construction details – overview	52
3.5 Construction details	53
4. Handling, storage and responsibility	68
4.1 Delivery and storage	68
4.2 Panel handling	69
4.3 Design, detailing and performance responsibilities	72
Appendices	73
Appendix A: Hebel PowerPanel ⁵⁰ material properties	73

WHY HEBEL® SYSTEMS ARE A BETTER WAY TO DESIGN AND BUILD

Hebel systems can deliver exceptional advantages in terms of performance, quality, speed of install, and risk minimisation

Creating high performance buildings using Hebel PowerPanel⁵⁰

Hebel PowerPanel⁵⁰ is a great choice for external walls on houses and low-rise multi-residential projects. 50mm thick, Hebel PowerPanel⁵⁰ autoclaved aerated concrete (AAC) panels are reinforced with steel, non-combustible and warranted by CSR.

The patented Hebel PowerPanel⁵⁰ external wall system is easily and quickly constructed without compromising on quality, performs well thermally and with little onsite waste, it treads lightly on the environment.

As with all Hebel reinforced panel products, PowerPanel⁵⁰ conforms to the Australian Standard for Reinforced Autoclaved Concrete (AAC), AS 5146.

Construction speed and efficiency

The Hebel PowerPanel⁵⁰ External Wall System allows for a fast and easy build process, whilst still delivering a superior finished product – a key reason why developers, builders and owner / builders choose Hebel. For instance, one standard Hebel panel is the equivalent of 75 traditional bricks, which means the walls of a 150m² home can go up in as little as three days when installed by experienced Hebel installers.

Minimising risk

Hebel systems are designed, tested and proven to achieve NCC fire and thermal compliance.

Combining the non-combustible properties of Hebel PowerPanel⁵⁰ with expert system design, CSR Hebel delivers high value, and cost effective solutions that reduce risk in construction.

The Hebel PowerPanel⁵⁰ system is Codemark certified, providing architects, engineers and builders piece of mind.

Leveraging the exceptional value-add of Hebel systems

The Hebel PowerPanel⁵⁰ System for houses and low rise multi-residential projects delivers a holistic solution for external walls. It benefits all stakeholders in the project adding value in the form of efficiency without compromising quality and minimisation of project risk.



50mm steel reinforced Hebel PowerPanel⁵⁰. For fast construction with minimised waste, 600mm wide panels can be ordered in stock lengths of 2400mm, 2550mm, 2700mm, 2850mm and 3000mm for vertical installation or 2000mm, 2200mm and 2400mm for horizontal installation.

BENEFITS OF BUILDING WITH HEBEL



STRONG AND SOLID

Hebel panels are high-performance building products made from autoclaved aerated concrete (AAC) containing steel reinforcement for added strength, with an anti-corrosion layer on the steel for maximum durability.



ENERGY EFFICIENT

Hebel panels perform well thermally, helping to keep your house cool from the heat in summer, and keeping it warm and cosy in winter. That means less reliance on heating and cooling, and can lead to savings on energy costs.



QUALITY AND SPEED

Building with Hebel can mean faster construction times, without sacrificing on quality. One standard Hebel panel is the equivalent of 75 traditional bricks, which means the external walls of a 150m² home can go up in just 3 days when installed by experienced Hebel installers. A high quality building material, Hebel provides a great solution in terms of speed and ease of construction which is why it is increasingly becoming the preferred choice of builders and developers.



NOISE REDUCTION

A Hebel home is a quiet one. Building your home in Hebel can significantly reduce the noise transmission between rooms, and when used for floors, can reduce sound transference between levels as well.



FIRE RESISTANT

Hebel is renowned for its fire resistant properties, and is a non-combustible building material. Hebel systems have been tested by the CSIRO and are proven to achieve Fire Resistance Levels (FRLs) of 60 minutes through to 240 minutes – as well as meeting or exceeding the requirements up to Bushfire Attack Level (BAL) FZ. This makes it an ideal choice in bushfire zones.



PROVEN

CCSR Hebel is the only manufacturer of AAC in Australia. With over 30 years of experience in developing, testing and producing AAC you can be assured you're getting high quality products and systems and unmatched technical expertise with Hebel. Hebel AAC includes a range of Australian made and imported product. Hebel imported products are manufactured on our behalf to Australian standards, and undergo the same rigorous quality testing.

1.1 DESIGNING AN EXTERNAL WALL USING HEBEL POWERPANEL⁵⁰

DESIGN PROCESS

This section outlines the design process for determining the adequacy of Hebel PowerPanel⁵⁰ panel.

- STEP 1** Determine the wind category, stud framing layout and panel height requirements.
- STEP 2** Design Criteria. Where required identify the National Construction Code (NCC) Performance Requirements:
 - Fire Resistance Level (FRL).
 - Energy efficiency (R-Value).
- STEP 3** The table below can be used to select a type, spacing and quantity of top hats or battens and fixings to suit requirements.
- STEP 4** Select insulation and/or sarking material to suit energy efficiency and condensation requirements.
- STEP 5** Check adequacy of sound insulation and fire resistance level.
- STEP 6** Complete detailed design and documentation.

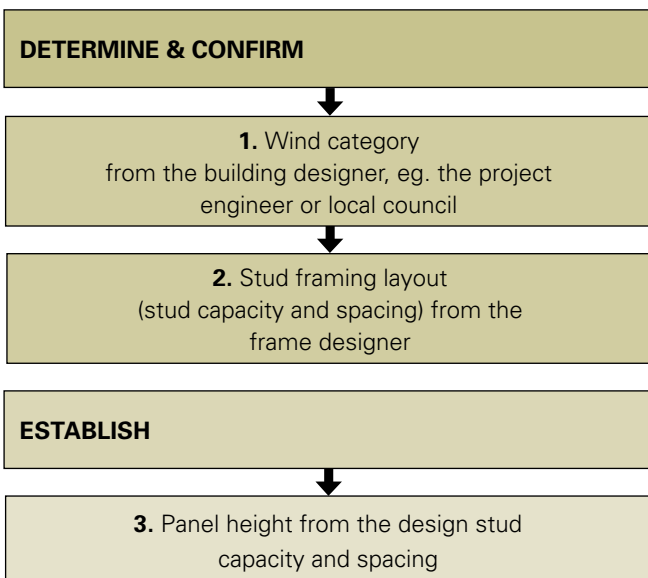


Table 1.1.1 Design process referencing

Determine	Table
No. of top hats or battens	2.2.1, 2.2.2 & 3.2.1
Max. stud spacing	2.2.1, 2.2.3 & 3.2.2
No. of screws	2.2.2, 2.2.4 & 3.2.2
Corner effects	2.2.2, 2.2.4 & 3.2.2
Control joint layout	Refer to control joints in construction details section

COMPLIANCE WITH THE NATIONAL CONSTRUCTION CODE OF AUSTRALIA (NCC)

All building solutions such as walls, floors, ceilings, etc. must comply with the regulations outlined in the NCC or other authority.

The NCC is a performance based document, and is available in two volumes which align with two groups of 'Class of Building':

- Volume 1 – Class 2 to Class 9 Buildings; and
- Volume 2 – Class 1 & Class 10 Buildings – Housing Provisions.

Each volume presents Regulatory Performance Requirements for different Building Solutions for various classes of buildings and performance provisions.

These Performance Provisions include: Structure; Fire Resistance; Damp & Weatherproofing; Sound Transmission & Insulation; and Energy Efficiency.

This guide presents tables, charts and information necessary to assist in the design of a system incorporating Hebel PowerPanel⁵⁰ that complies with the Performance Requirements of the NCC. The designer must check the adequacy of the building solution for Performance Requirements outlined by the appropriate authority.

COMPLIANCE WITH AS 5146 REINFORCED AUTOCLAVED AERATED CONCRETE

All Hebel reinforced panel products conform with the Australian Standard for Reinforced Autoclaved Aerated Concrete (AAC), AS 5146.

The set of AS 5146 standards comprise of 3 parts:

- AS 5146 Part 1 – Structures
- AS 5146 Part 2 – Design
- AS 5146 Part 3 – Construction

These Standards are referenced in the Building Code of Australia making compliant AAC products Deemed-to-Satisfy (DTS) building materials.

AS 5146.3 – Construction, Section 4 contains details for 50mm reinforced AAC external walls in houses and low rise multi residential buildings, considered a DTS building system.

This provides the endorsement and confidence to regulatory and building certification bodies that the Hebel PowerPanel⁵⁰ External Wall System is a NCC compliant construction system.

1.2 STRUCTURAL PROVISIONS

OVERVIEW

The Hebel PowerPanel⁵⁰ External Wall System consists of Hebel PowerPanel⁵⁰ panels secured to the framing via horizontal steel top hats or vertical battens. This section provides the basic information on the selection of top hat or batten spacings for a given stud spacing and wind category, as well as considerations to assist the designer in determining the appropriate wall configuration.

The design information presented in Tables 2.3.1 to 2.3.4 has been determined for 15mm RONDO M515 top hat, 24mm and 35mm Hebel perforated top hat section, used in vertical installation.

The design information presented in Tables 3.2.1 to 3.2.3 has been determined for 16mm - 40mm battens used in horizontal installation.

Minimum performance requirements for the metal studs, Hebel Perforated top hats or battens, fixings and Hebel PowerPanel⁵⁰ have been provided to assist the designer.

IMPORTANT: The design and approval of the structural framing (cold-formed steel or timber) is to be provided by the framing product manufacturer and/or project engineer.

PRINCIPLES OF DESIGN

The principles on which the design is based include:

- a) The lateral wind loads applied to the panels are transferred into the horizontal top hats or battens, then to the stud frame, which should be designed in accordance with the relevant Australian Standards for the imposed loads. The frame should be designed for all bracing and hold-down requirements.
- b) The design of the stud frame shall consider the weight of the suspended panels (such as the upper storey of two-storey construction).
- c) The system is not considered as cavity construction, as the top hat or batten clearly bridges the cavity, hence the details show the necessity of sealing the windows and door frames, as well as applying a water resistant external coating.
- d) The system specifications vary with wind load. The notation used in AS 1684 Residential Timber Framed Construction has been adopted.
- e) The localised effects of wind around corners of buildings have been considered in the design and included in the tables. The extent of this effect is discussed towards the end of this section.
- f) The building designer must allow for internal pressures resulting from dominant openings when the building is designed to AS1170.2 for regions C and D.

Design Procedure

Design procedures for the verification of wall systems consisting of Hebel Autoclaved Aerated Concrete (AAC)

PowerPanel⁵⁰ panels generally follow the design principles outlined in Australian Standard AS 3600 – Concrete Structures for strength and serviceability design, with the exception of cover requirements for durability and development length for reinforcement.

The serviceability design of the Hebel PowerPanel⁵⁰ panels has been carried out using the Transformed Section Theory, as detailed in the text book, 'Reinforced Concrete' by Warner, Rangan and Hall (Longman Cheshire). The load carrying capacity of the Hebel PowerPanel⁵⁰ panels is influenced by several factors, such as:

- Imposed action (wind).
- Lateral stiffness of the supporting structure, lightweight structural, cold-formed steel framing.
 - Stud size and spacings.
 - Deflection limit.
- Height of the wall.
- Number and spacing of the top hats or battens.
- Number of screw fixings considered effective.

Criteria for corner panels

Due to the increase of wind load around the corners of buildings, extra top hats (vertical installation) and screws may be necessary (N3 and greater) for a distance of 1200mm in each direction from the corner.

Tables 2.2.1 to 2.2.4 identify the installation criteria in these areas in the columns titled 'Panel Location – Corner'.

Earthquake loads

Earthquake loading has not been considered in this design guide.

DESIGN TABLES

Sections 2.2 and 3.2 presents design tables to assist the designer in the selection of the number of top hats or battens and number of screws for securing the Hebel PowerPanel⁵⁰ panels to the framing for a given wind category.

IMPORTANT: The wind category is to be used as a guide. The designer should check the project wind pressure against the values given in the tables.

STUD FRAME – STEEL OR TIMBER

The stud frame shall be designed by the stud manufacturer or appropriate project engineer. Hebel PowerPanel⁵⁰ panels are a steel reinforced AAC product and the support structure should be designed to provide sufficient stiffness.

The steel stud frame shall be designed and constructed in accordance with AS 3623 and AS/NZS 4600 (NCC Performance Requirement).

The timber stud frame shall be designed and constructed in accordance with AS 1684.

STRUCTURAL FRAMING DESIGN

The use of Hebel PowerPanel⁵⁰ in two-storey construction involves a number of design issues that require attention. In conjunction with the following, refer to the Construction Details in Section 2.9.

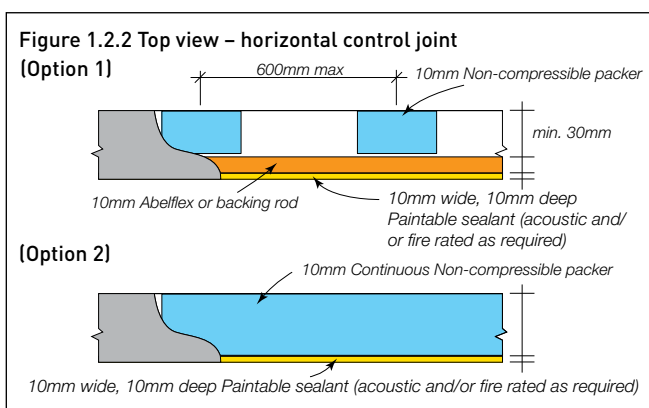
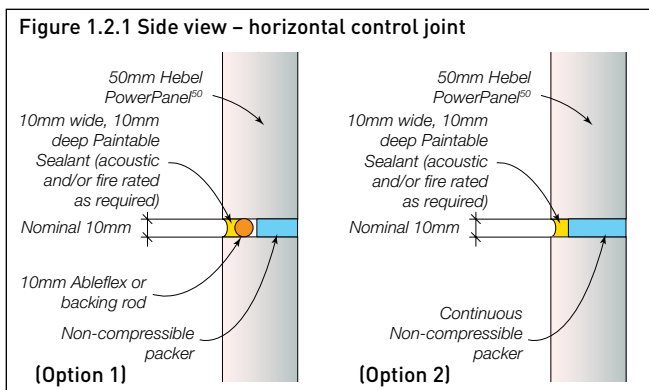
NOTE: When PowerPanel⁵⁰ panels are suspended from the stud frame the project engineer must design the frame to support the weight of the PowerPanel⁵⁰ panels.

Design tip

In order to reduce the load of the upper storey PowerPanel⁵⁰ panels and make installation easier, the lower storey PowerPanel⁵⁰ panels should be specified as 2700mm/2850mm/3000mm in length and the upper storey PowerPanel⁵⁰ panels as 2400mm/2550mm in length. The vertical dimensions can be adjusted to suit.

Steel joists or engineered timber joists ($\leq 1\%$ shrinkage)

Lower storey panels are to bear on the slab edge. However, consideration should be given to the sectional size of the lintels over openings on the lower storey. As the details reveal, only a dummy control joint (nominal 10mm packers, backing rod and an external grade acoustic and/or fire rated paintable sealant joint) is required at the horizontal PowerPanel⁵⁰ junction between the upper and lower panels. The panel support packer should consist of a durable material that will not degrade during the life of the structure.



NOTE: Use 10mm wide by 10mm deep CSR Fireseal Sealant at vertical and horizontal control joints to achieve FRL of 90/90/90 for the wall system. See section 1.5. Protect Fireseal Sealant from rain until sealant has developed a thick skin. Once cured, Fireseal should be painted over with a compatible external grade acrylic coating i.e Dulux Acratex or similar.

Timber frame construction ($> 1\%$ shrinkage joist).

Movements in the order of 25mm can occur in a two storey timber frame with a timber first floor. The fixing method used in the Hebel PowerPanel⁵⁰ External Wall System does not

allow for this extent of differential movement between the external skin and the timber frame.

The allowances for shrinkage of timber framing in NCC 2019 Vol. 2, by providing gaps between framing and masonry, should be adopted as a minimum.

It is therefore recommended that the upper storey PowerPanel⁵⁰ panels be installed 35mm clear of the lower storey panels. During construction a temporary packer is used to separate the panels and is then removed after the panels have been fixed. An architectural trim (feature moulding) must be used to hide the horizontal control joint. Contact Hebel Technical Services for further details.

The impact of this construction is to load the lower storey frame with the weight of the upper storey panels. In effect, an extra 35kg/m² (for the weight of the upper panels) is being added to the load already carried by the timber frame. The load approximates 0.84kN/m (2.4m wall height).

To simplify the design implications of this extra load, it is recommended to add an extra 1.1m of tributary width for a 90kg/m² tile roof load (for 2.4m upper wall heights) for the design of the lower storey frame and timber lintels, when using AS 1684. – cyclonic or non-cyclonic areas.

Bracing of the building

The walls of the dwelling should be braced using steel cross bracing wherever possible to allow the fixing of the PowerPanel⁵⁰ panels without the need for additional packing. Ply or sheet bracing should be used on the external wall if the walls are too short for the steel cross bracing (refer AS 1684 – cyclonic or non-cyclonic areas). In this case, the full length of the wall should be sheeted to prevent misalignment of the panels.

Alternatively, localised strips of the sheeting can be fixed to the intermediate studs between the areas of full sheet bracing to maintain the panel alignment. All fixing is only from the outside, except on zero boundary walls. The extent of the bracing should be determined by the frame designer or project engineer.

NOTE: Minimum screw embedment depth into timber frame must be 25mm.

Table 1.2.1 Comparative wall thicknesses (mm)

Wall system	Wall element width			Total width
	Stud	Cavity	Masonry leaf	
Brick veneer	70	40	110	220
Hebel PowerPanel ⁵⁰	70	15 – 40*	50	135 – 160*
Brick veneer	90	40	110	240
Hebel PowerPanel ⁵⁰	90	15 – 40*	50	155 – 180*

* NOTES: Depending on top hat or batten selection
These wall thicknesses exclude the internal plasterboard wall linings

1.3 DESIGN & DETAILING CONSIDERATIONS

BUILDING SETOUT

The Hebel PowerPanel⁵⁰ External Wall System is principally designed for modular construction. The full benefit of savings in time and cost will be fully realised when the construction is designed to suit a 300mm module. In principle, thoughtful setout on the drawing board will minimise the site-cutting of the panels, which is time consuming and wasteful compared to the installation of stock PowerPanel⁵⁰ panels.

External wall height

Typically the external wall height is the distance from the base of the slab step down up to 50mm above the height of the eaves lining.

Window and door heights should also be considered when determining panel layout. Typically a 300mm distance below or above door or window heights is desirable.

Wall length (horizontal dimensions)

Although not as critical as the wall height, the wall length designed to 300mm dimensions will help reduce waste.

TERMITES

It is the builder's responsibility to ensure that all council and NCC requirements are fully adhered to in regard to the design of the house for preventing termite attack. The construction details contained in this guide do not attempt to fully address the issues due to the variation of requirements from state to state. Hebel PowerPanel⁵⁰ is ideally suited to the exposed edge method of perimeter protection. NCC 2019 Vol. 2 Part 3.1.4 deals with termite risk management and the reference code is AS 3660.

FOOTINGS

Footings for Hebel PowerPanel⁵⁰ should comply with articulated masonry veneer construction as specified in Australian Standard AS 2870. This is a minimum requirement. Local engineering advice should always be sought, especially in areas of highly reactive ground conditions.

MOVEMENT CONTROL JOINTS

During the life cycle of a building, the building and the materials that it is constructed from will move. These movements are due to many factors working together or individually, such as support structure movement (lateral sway or vertical deflection), thermal expansion and contraction and differential movements between materials.

This movement, unless relieved or accommodated for, will induce stress in the materials, which may be relieved in the form of cracking. To accommodate these movements and relieve any induced stresses, which could potentially crack the wall, movement joints need to be installed.

- Control joints are provided to relieve the induced stresses resulting from thermal expansion or contraction of the AAC, or differential movement between the AAC and another material or structure, such as abutting walls or columns of concrete or brickwork. Control joints can delineate coating shrinkage breaks.

Vertical control joints should coincide with control joints in the supporting structure and anywhere that significant structural movement is expected, where the wall abuts a vertical structure, such as an existing building, or adjacent to large openings. Refer to control joints in **construction details section**.

Table 1.3.1 Spacing of vertical control joint based on site classification

Site Class	Vertical control joint spacing
A, S	6
M, M - D	5.5
H1, H1 - D	5
H2, H2 - D	4.5

Note: Refer to AS 2870 for guidance on site classification.

Important: Where installing Hebel external wall claddings on slab edge rebates for sites that contain saline soils, a clearance between the base of the panel and the finished ground level must be maintained to avoid contact of the panels with these soils. Where the slab edge rebate is rendered, it must be ensured that the DPC under the panel is cut flush with the external face of the panel to form a barrier between the slab edge rebate and the underside of the overhanging section of panel to prevent the rise of salts (from saline soils) through the slab edge render and into the panel.

This guide proposes minimum widths for the movement joints. The project engineer shall determine if the joints are sufficient to accommodate the movement of the specific project building. Typically, the vertical joint is nominally 10mm wide and filled with an appropriate backing rod and flexible sealant.

NOTE: At all control joints, the top hat should be discontinuous to allow for the effective movement of the building at these locations.

A horizontal control joint is required beneath slabs or angles to accommodate any expected deflection. The magnitude of the deflection must be verified by the building designer. Typically, the horizontal joint is nominally 10mm wide and filled with an appropriate external grade acoustic and / or fire rated paintable sealant.

CONDENSATION

Condensation is a complex problem and can occur under a variety of conditions, not just cold conditions. Literature on this subject is available from CSIRO/BRANZ/ASHRAE and must be consulted when building in areas where condensation is likely to occur.

In these cases, the appropriate use of a sarking as a vapor barrier or as thermal insulation, or both, can be effective in controlling condensation.

PENETRATIONS

Small service penetrations through the panel should allow for differential movement between the panel and the service. All penetrations are a potential source for water ingress and should be sealed with an appropriate acoustic and/or fire rated paintable sealant.

WINDOWS

The builder should also ensure that the reveal size is correct to suit PowerPanel⁵⁰. Refer to Table 1.3.2 for recommendations.

The sizes below typically apply to aluminium framed windows. If timber windows are being used similar tolerances and guidelines apply.

Table 1.3.2 Reveal size

Stud size 70mm	
Top hat size	Reveal size*
15mm	88mm
24mm	100mm
35mm	115mm
Stud size 90mm	
Top hat size	Reveal size*
15mm	108mm
24mm	120mm
35mm	135mm

NOTE: Reveal sizes may vary from one manufacturer to another.

*Figures shown assume brace board is used on framework.

NOTE: The external sealant in the control joints adjacent to windows must be returned to the window frame, and sealant installed along the window head, sill and junction of the sides of window to the panel. No gap should exist between the external sealant and the window frame.

WALL FRAMES

The builder should ensure wall framing is straight and plumb prior to cladding installation. Wall framing shall be installed to the current standards and tolerances as per relevant state and territory requirements.

1.4 DURABILITY

OVERVIEW

Durability means the capability of a building or its parts to perform a function over a specified period of time. It is not an inherent property of a material or component. It is the outcome of complex interactions among a number of factors, including:

- The service conditions
- Material characteristics
- Design and detailing
- Workmanship
- Maintenance

(‘ABCB Guideline Document – Durability in buildings: 2015’)

The following sub-sections of the durability topic are written in order to provide general guidelines on how best to provide, enhance and maintain adequate durability of Hebel PowerPanel⁵⁰ panels.

MAINTENANCE & ENHANCEMENT OF DURABILITY

The durability of the Hebel PowerPanel⁵⁰ External Wall System can be enhanced by periodic inspection and maintenance. Inspections should include but are not limited to the examination of the coatings, flashings and sealants. Paint finishes must be maintained in accordance with the manufacturer’s recommendations. Any cracked and damaged finish or sealants, which would allow water ingress, must be repaired immediately by recoating or resealing the effected area. Any damaged flashings or panels must be replaced as for new work.

The durability of the system can also be increased by using Class 4 fixings throughout, additional treatment of steelwork, and by painting all exposed sealants to the sealant manufacturer’s recommendations.

COASTAL AREAS

Hebel PowerPanel⁵⁰ panels can be used in coastal areas with additional precautions to ensure salt does not build up on the surface of the wall. For buildings which are 1000 metres from a shoreline or large expanse of salt water one of the following is required:

- All horizontal and vertical movement joints must be appropriately caulked; and
- All walls must be sufficiently exposed from above so that rain can perform natural wash-down of the wall; or
- Walls which are protected by soffits above must be washed down twice per year to remove salt and debris build-up particularly at the joints; and
- In all cases, Class 3 screws can be used.

NOTE: Class 3 screws must be countersunk in outer face of the PowerPanel⁵⁰ by at least 5mm and filled with Hebel Adhesive.

HEBEL POWERPANEL⁵⁰

Hebel PowerPanel⁵⁰ has many characteristics which make it a very durable product, including:

- Will not rot or burn
- Is not a food source for termites
- Approximately quarter the weight of conventional concrete
- Solid and strong with corrosion protection coated steel reinforcement.

HEBEL CLADDING WHERE INSTALLED IN FLOOD AFFECTED AREAS

Hebel panels are an autoclaved aerated concrete (AAC) material containing macropores (i.e the air voids in the Hebel material structure) that create a porous structure. The panels are coated with an acrylic coating system generally comprising a base skim coat, texture coat and final coat layer to prevent the ingress of water from inclement weather.

Should Hebel external walls be subject to inundation by flood waters, this will likely affect and possibly breach the integrity of the external coatings and sealants causing the panels to absorb moisture. Although the mineral properties of the Hebel AAC material structure are generally unaffected by moisture, the integrity of the panels must be re-assessed following a flood event, by removal of the external coatings. It is likely that extended periods of inundation could cause long-term damage to the durability of panels (i.e manifested corrosion of reinforcement, damage from impact caused by flood debris etc), in which case, the affected panels should be removed and replaced.

For these reasons, best building practice would be to ensure that the base of panels remain within the freeboard region of the determined and site-specific flood level to avoid inundation, as Hebel AAC panel product warranties following exposure to a flood event are not guaranteed and are subject to the discretion of CSR Hebel.

DURABILITY OF COMPONENTS

It is the responsibility of the building designer to ensure that the components such as screws, top hats or battens and other steel components have the appropriate corrosion protection to be able to maintain their strength and integrity to suit the required design life of the project.

IMPORTANT: Termite treated timber frames (such as LOSP treated frames) may require a barrier between top hat and timber member to prevent corrosion of steel components. Please refer to frame manufacturer for advice. CCA treated pine frames have a deleterious effect on the top hat coatings, which can lead to corrosion. Where timber is CCA treated, provide a barrier between top hat and timber member. Refer to frame manufacture for compliance with the frames compatibility with steel top hats and screw fixings.

When assessing durability the following documents can be referred to for guidance:

- ABCB Guideline Document – Durability in buildings: 2015.
- AS/NZS 2312: 2014 – Guide to the protection of structural steel against atmospheric corrosion by the use of protective coatings.
- ISO 9223: 2012 – Corrosion of metals and alloys – Corrosivity of atmospheres – Classification.
- AS 3566: 2002 – Self drilling screws for the building and construction industries.
- AS 2331: 2006 – Methods of test for metallic and related coatings.

Reference to AS 3566 should always be adhered to when selecting the screw's corrosion resistance classification.

WALL FRAMES

Steel frames

The designer needs to ensure that the steelwork and Hebel AAC products have adequate protective systems to ensure that durability is maintained. The durability of the stud frame can be enhanced by the provision of a membrane such as sarking. The manufacturer of the steel stud frame can provide guidance on the appropriateness of this solution on a project-by-project basis.

IMPORTANT: The steel frame requirements outlined in the BCA Vol. 2, Part 3.4.2 should be considered in conjunction with steel frame design and construction advice from the steel frame manufacturer. These requirements consist of minimum protective surface coatings with restrictions on the location of the building and exposure condition of the steel frame.

Timber frames

Information on the durability design of timber structures and components can be obtained from documents such as:

- AS 1720.1 Timber Structures, Part 1: Design Methods
- AS 1684 Timber Framing Code
- State timber framing manuals
- AS 3660 Subterranean Termites.

1.5 FIRE RESISTANCE PERFORMANCE

OVERVIEW

The Hebel PowerPanel⁵⁰ External Wall System can be subjected to a fire loading as the result of either an external fire source, or an internal fire source. When the wall requires a fire resistance level (FRL) rating, Hebel provides the following guidance:

External fire source

For an external fire source, the excellent fire resistance qualities of the Hebel PowerPanel⁵⁰ External Wall System protects the structural support framing and provides a high fire resistance level.

NOTE: The FRL rating of the wall can be affected by the penetrations and the method adopted to protect these penetrations. A fire collar with a –/60/60 FRL rating will govern the FRL of the wall, even if the wall configuration has a FRL rating of –/90/90. Where required, the performance of the external coating when subjected to a fire loading shall meet the appropriate performance requirements outlined in the NCC. Joints and gaps need to be appropriately fire rated, e.g. vertical control joint will need fire rated sealant and horizontal joints must be blocked with compressible fire rated material.

Internal fire source

For an internal fire source, the studs must be protected by the internal wall linings. Refer to CSR Gyprock Red Book™ for specifications.

External walls in fire – NCC Provisions

Where necessary the designer and builder should ensure the structural support framing, its connections and the Hebel PowerPanel⁵⁰ installation are satisfactory when subjected to fire conditions. The NCC Vol 2 (Part 3.7.1) outlines provisions for external walls for fire resistance in a residential building where the external wall is less than 900mm from an allotment boundary or 1.8m from another building on the same allotment. If this occurs an FRL of not less than 60/60/60 is required from the outside.

FIRE PERFORMANCE OF HEBEL POWERPANEL⁵⁰

The Hebel PowerPanel⁵⁰ External Wall System achieves a FRL of 90/90/90 minutes. Only the construction details identified in **Construction details section** achieve a fire performance (See Figures 2.9.3.1, 2.9.4.7, 2.9.6.1, 2.9.6.2, 2.9.6.5, 2.9.6.9, 2.9.6.10, 3.5.4.4, 3.5.5.1, 3.5.7.1, 3.5.7.2, 3.5.7.3, 3.5.7.7 and 3.5.7.8). Where other details are required to provide a fire performance or where a greater Fire Rating Level (FRL) is required, then assessment by a qualified fire engineer is necessary to verify such performance.

The 90/90/90 fire resistance (FRL) rating performance of the Hebel PowerPanel⁵⁰ wall system has been derived from CSRIO fire assessment report FCO-3241.

DESIGN CONSIDERATIONS

Fire stop penetrations

Penetrations through Hebel PowerPanel⁵⁰ to accommodate pipework, electrical cabling or ductwork will have to be protected (fire stop), to prevent the spread of fire through the penetration. The penetration can be protected with proprietary products such as:

- Fire rated sealants
- Fire collars and intumescent wraps
- Fire rated mortars
- Fire rated pillows
- Fire rated switch boxes.

Hebel recommends contacting the manufacturer to obtain the appropriate product/solution and installation method for the application and wall configuration.

BUSHFIRE ZONE REQUIREMENTS

The Hebel PowerPanel⁵⁰ External Wall System can achieve the construction requirements up to BAL - FZ as specified in Australian Standard AS3959. When constructing in BAL - FZ a minimum setback distance of 10m from the edge of the classified vegetation is required. It is the responsibility of the building designer to ensure compliance to AS 3959 is achieved in accordance with clause F2.7.4 of NCC 2019 Volume 2.

1.6 ENERGY EFFICIENCY

NATIONAL CONSTRUCTION CODE (NCC)

The NCC is available in two volumes which align with two groups of 'Class of Building':

- Volume 1 – Class 2 to Class 9 Buildings; and
- Volume 2 – Class 1 & Class 10 Buildings – Housing Provisions.

Each volume presents the Performance Requirements for the efficient use of energy for internal heating and cooling in buildings. The majority of changes have been associated with the Housing Provisions.

The Performance Requirements for energy efficiency ratings are dependent upon the form of construction (i.e. walls or floors), Class of Building, and the type of areas being separated. The performance requirement is a value that is the Total R-Value, which is the cumulative total of the individual R-Values of the building system components.

THE HEBEL POWERPANEL⁵⁰ EXTERNAL WALL SYSTEM

One of the primary design objectives in planning a building is to provide a cost effective comfortable living / working environment for the building's inhabitants. Exploiting the inherent thermal mass and insulation qualities of Hebel enables the designer to achieve this objective.

Several international comparative studies have been conducted to investigate the benefits of incorporating AAC walls in place of conventional wall systems. A common trend was the lower heating and cooling energy consumption and smaller mechanical equipment required to maintain a comfortable living environment, especially with regards to regions of mainly cold weather. The excellent performance was the result of the three characteristics – thermal mass, thermal insulation and the air tightness of the construction.

The level of insulation provided in a wall is determined by the required Total R-Value. The higher the required Total R-Value the greater the insulation provided. Hebel PowerPanel⁵⁰ External Wall System incorporating CSR Bradford insulation can provide the R-Value ratings outlined in Tables 2.3.1 and 2.3.2 for vertical installation and Tables 3.3.1 and 3.3.2 for horizontal installation.

THERMAL INSULATION

It is recommended that insulation materials be installed to enhance thermal insulation properties and occupant comfort. Insulation also improves the acoustic performance of the wall against outside noise.

The NCC provides Deemed-to-Satisfy Provisions for compliance and installation of the various types of insulation. The insulation should be installed with Hebel PowerPanel⁵⁰ such that it forms a continuous barrier to contribute to the thermal barrier. All insulation installed in Hebel PowerPanel⁵⁰ External Wall systems must comply with: AS/NZS 4859.1; or AS 2464.3 for loose fill insulation.

AIR TIGHTNESS

The thermal performance can be influenced by many factors. Most of these are related to the design decisions and properties of the adopted materials. Construction practices can also significantly affect the performance with poor sealing, resulting in drafts. The tight construction tolerances of AAC provide a wall with low air infiltration rate. Testing at the CSIRO (Test Report DTM327) on Hebel blockwork with thin bed adhesive joints has determined an air infiltration rate of 0.3L/s (0.014% of internal volume). For PowerPanel⁵⁰ panels having fewer thin bed adhesive joints, a rate less than this could be achieved.

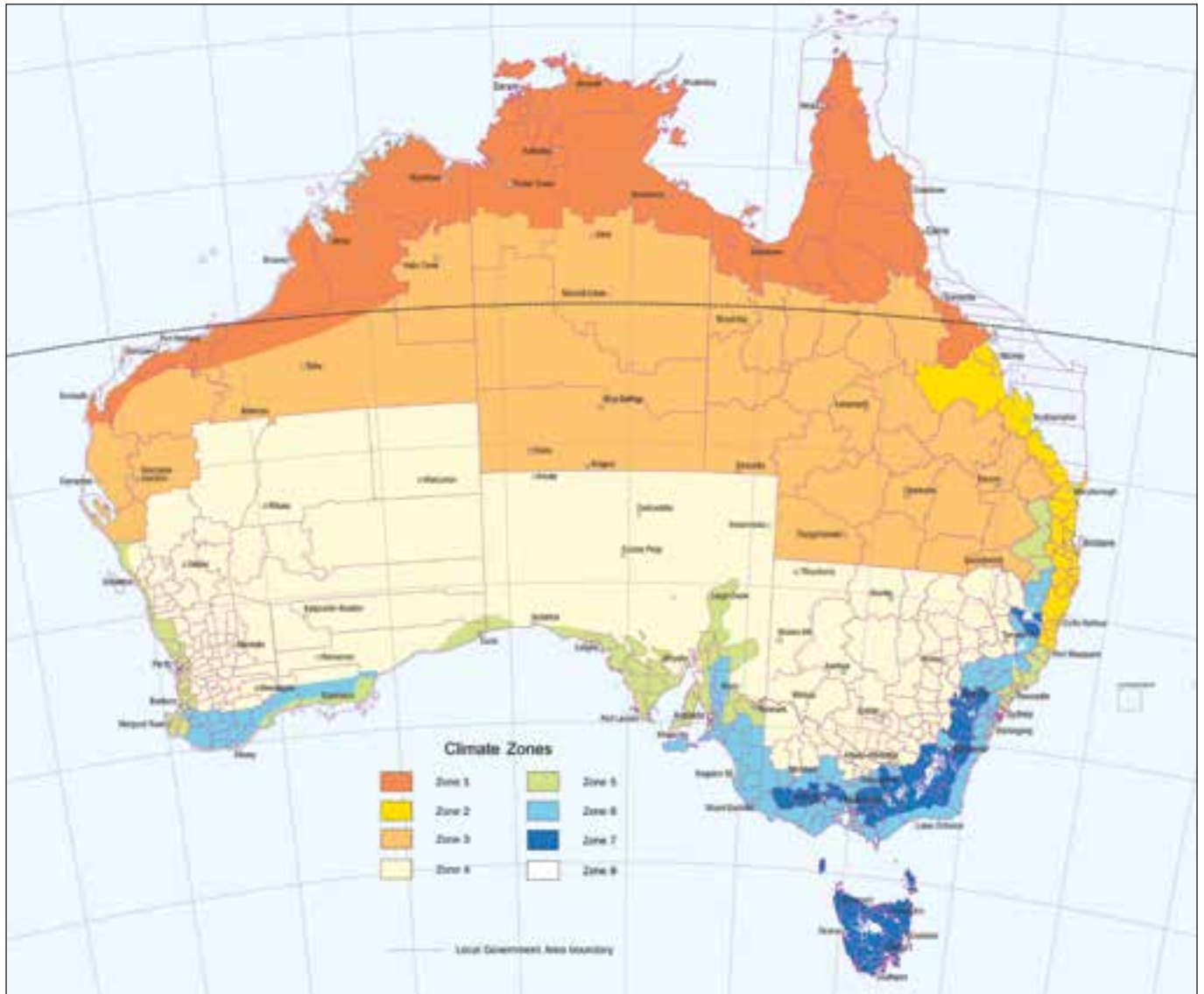
SARKING

As well as controlling condensation and acting as an air barrier, sarking can be used to significantly improve the thermal insulation and energy efficiency performance of a building solution. Sarking layers can alter the performance of the cavity by providing a reflection side. The design of the sarking arrangement is complex and should be performed by the appropriate project consultant.

Where the sarking layer provides a weatherproofing function, the sarking material must comply with AS/NZS 4200 Parts 1 and 2.

The following tables show the performance levels required for walls and floors under the NCC and the thermal performance of the Hebel PowerPanel⁵⁰ External Wall System.

Figure 1.6.1 Climate zones for thermal design



STEP 1 Determine which climate zone your project is located in Australia from the map.

STEP 2 From Table 1.6.1, determine the design conditions ('Summer' heat flow in or 'Winter' heat flow out) according to the building class and climate zone for your project. Note: Building classes are defined by the NCC.

STEP 3 Refer to the roof, wall or floor system applicable to your construction type to determine Total R-Value.

NOTE: Some applications may achieve Total R-Values sufficient to comply with the minimum performance levels of the Deemed-to-Satisfy requirements contained in the Energy Efficiency Provision of the NCC.

Table 1.6.1 Climate zones for thermal design

Climate Zone	1	2	3	4	5	6	7	8
	Below 300metres		Above 300metres					
Class 1-10,2,3,4,9c	Summer		Winter					
Class 5,6,7,8,9a,9b	Summer						Winter	
Class 1-10	Summer		Winter					
Class 2,3,4,5,6,7,8,9a,9b,9c	Summer			Winter				

Table 1.6.2 Low-rise multi-residential buildings

Climate Zone	Options		
1, 2,3,4 and 5	(a)	(i)	Achieve a minimum <i>Total R-Value</i> of 2.8.
	(b)	(i)	Achieve a minimum <i>Total R-Value</i> of 2.4; and
		(ii)	Shade the external wall of the storey with a verandah, balcony, eaves, carport or the like, which projects at a minimum angle of 15 degrees in accordance with Figure 3.12.1.2. of NCC 2019
6 and 7	Achieve a minimum <i>Total R-Value</i> of 2.8.		
8	Achieve a minimum <i>Total R-Value</i> of 3.8.		

Table 1.6.3 Comparison of thermal properties

Products	R- Value
Fibre Cement 6mm	0.03
Brick 110mm	0.18
Hebel PowerPanel ⁵⁰	0.313 (based on 4% moisture content)
Systems	R- Value
Brick veneer (double sided reflective foil)	1.77
Hebel1664 (double sided reflective foil)	2.15

0 0.5 1.0 1.5 2.0 2.5

NOTES:

- Sarking or insulation to be added to the above values where applicable to comply with NCC climate zone requirements.
- R-Values above (excluding Hebel PowerPanel⁵⁰ solution) are taken from NCC 2019.
- Refer to Table 2.3.1 and 2.3.2 for Hebel PowerPanel⁵⁰ configuration and thermal insulation options.
- R-Values provided for brick veneer have been provided by James Fricker calculation 107.50 dated July, 2010.

1.7 COATING REQUIREMENTS

Hebel PowerPanel⁵⁰ panels require an appropriate external coating system and sealant detailing to ensure a water resistant and vapour permeable building envelope is achieved.

Generally, the external face of the Hebel PowerPanel⁵⁰ panel is coated with a high build acrylic levelling and finishing system, applied in accordance with the recommendations of the coating manufacturer.

The external coating of the panel shall contain an embedded fibreglass reinforcing mesh. For vertical installation the fibreglass reinforcing mesh shall be a minimum 200mm in width and positioned centrally over vertical panel adhesive joints. For horizontal installation the base leveling coat must have embedded fibreglass reinforcing mesh applied over the entire wall. The minimum specification of the reinforcing mesh should be a maximum aperture of 10mm by 10mm and a minimum weight of 145g/m² (incorporated in base levelling coat).

NOTE: The coating system is a necessary part of the Hebel PowerPanel⁵⁰ external wall system to ensure the durability of the panel, validity of the applicable warranty and weathertightness of wall system is maintained. Hebel recommends the coating system to be applied as soon as possible, but within 60 days from the date of installation of Hebel PowerPanel⁵⁰ panels.

Prior to application of the coating it must be ensured that:

- The PowerPanel⁵⁰ panels are dry
- The panel substrate is clean from any dirt, imperfections or contamination that may prevent adhesion of the coating system onto the panel

PERFORMANCE REQUIREMENTS

The following are items to be considered when selecting a coating system:

Manufacturer approved:

- Hebel recommends the use of a three layer coating system. The application of a two layer coating system is also acceptable (except on horizontal installation). The acrylic coating manufacturer must ensure they have evidence of suitability of their coating system over the Hebel substrate, where a two layer coating system is used.

NOTE: Where other manufacturer's coating systems are applied to Hebel external walls these coatings systems must be warranted by the coating manufacturer as appropriate for coating an AAC substrate. As a minimum coating manufacturers must verify and warrant coating system performance to the properties defined below. Coating application rates and film thickness must comply with (or exceed) the coating system manufacturer's minimum specifications.

Surface adhesion:

- The substrate preparation and coating application should be in accordance with the coating manufacturer's specification.
- Before applying finishes in coastal areas (Refer to Section 1.4 – Durability), all PowerPanel⁵⁰ panels must be thoroughly washed with fresh water to remove any salt residue. Refer to coating manufacturer for additional requirements.

Water resistance:

- The primary objective of the coating system is to prevent liquid water ingress, yet allow water vapour transmission both in and out of the AAC substrate.
- Proven water resistance capability: Transmission: <10 grams/m²/24hr at the nominated minimum coating dry film thickness.

Water vapor permeability:

- For a coating to allow the 'escape' of water vapour, the coating must be vapour permeable.
- The coating system should comply with the following performance parameter:
 - Equivalent air layer thickness of water vapor diffusion $S_d \leq 4m$.

NOTE:

- A coating with an ($s_d \leq 4m$) has less resistance to water vapour diffusion (escape) than a static 4m thick air layer.

Compatibility:

- Ensure the coating system is compatible with the AAC substrate and construction system components, i.e:
 - Coatings may not adhere to silicone or other sealants and mastics.
 - Excessive joint adhesive or mortars smears across the panel face may require removal or specific primers.

Durability:

- The coating must be durable and should not overly deteriorate with exposure to light (UV) and weather for the life of the coating system manufacturer's warranty.

Coating Elasticity:

- The coating system must be able to bridge a 1mm minimum crack width.
- The coating system manufacturer can specify the minimum design specification (thickness), so that the coating is serviceable and durable.

IMPORTANT: This list of performance requirements indicates that a specific fit-for purpose coating system must be adopted, and that a simple paint coating would most likely be an inadequate coating system. Variations to the coating system must be approved and warranted by the coating system manufacturer or representative.

Maintenance:

All external coating systems and sealants/caulking should be cleaned and maintained on a regular basis. Please refer to Section 1.4 - Durability.

Contact reputable coating manufacturers for their current coating maintenance guide.

1.8 WEATHERPROOFING

SEALANTS

All control joints must be sealed with a suitable external grade acoustic and/or fire rated paintable sealant. All gaps between the PowerPanel⁵⁰ panels and framing around windows must be caulked with an appropriate external grade sealant.

NOTE: Caulking should be applied prior to base coat with care taken not to cut the caulking during application of trowelled on render/coating.

The sealant should be installed in accordance with the sealant manufacturer's specifications.

WALL FLASHINGS

In general, flashings shall be designed and installed in accordance with SAA-HB39: 2015 – Installation Code for Metal Roofing and Wall Cladding.

WALL WRAP

For Hebel PowerPanel⁵⁰, wall wrap is recommended for insulation, condensation control as well as a corrosion barrier over CCA treated timber frames.

Where wall wrap is installed in an external wall it must be of a vapour permeable type for climate zones 6, 7 and 8 as per NCC 2019 Volume Two Clause 3.8.7.2 Pliable building membrane. Wall wrap must be designed and installed in accordance with AS/NZS 4200 Part 1 – Materials and Part 2 – Installation.

POWERPANEL⁵⁰ EXTERNAL WALL SYSTEM

The Hebel PowerPanel⁵⁰ External Wall System has been tested (and results of the test assessed by AECOM) in accordance with the Verification Methods of NCC 2019, specifically the verification methods FV1 for clause FP1.4 (Volume One) and V2.2.1 for clause P2.2.2 (Volume Two).

The results of this test demonstrate the Hebel PowerPanel⁵⁰ External Wall System (with adhesive applied at the panel joints) and with a suitable acrylic coating system applied over the panel will comply with the performance requirements NCC 2019 for Wind Categories N2 & N3, specifically the verification methods FV1 for clauses FP1.4 (Volume One) and V2.2.1 for clause P2.2.2 (Volume Two).

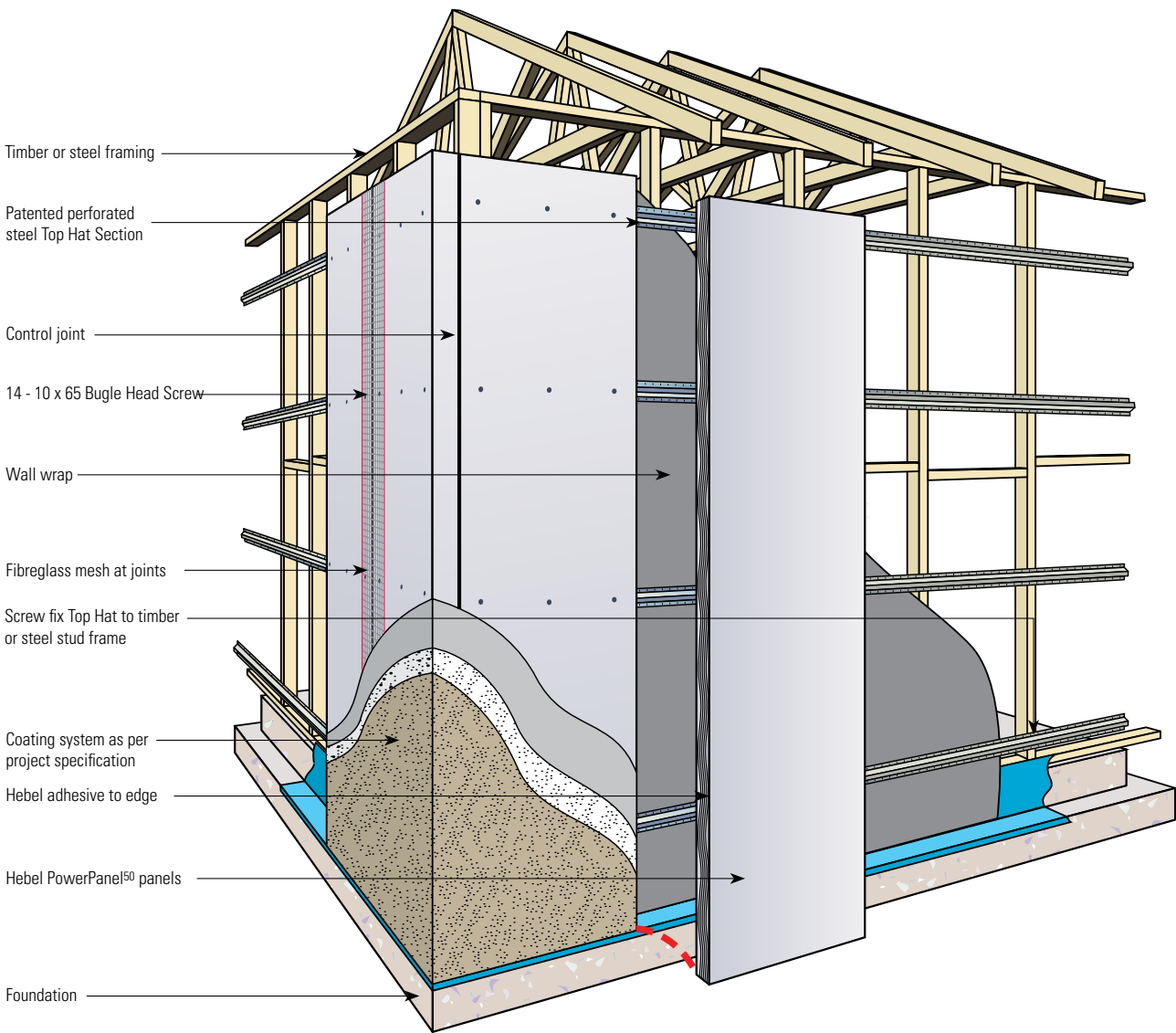
FACE-SEALED SYSTEM

The Hebel PowerPanel⁵⁰ External Wall System is considered a face-sealed system (functioning as a closed, un-drained cavity wall system, excluding weepholes) whereby the external coatings and sealant at control joints, around external window and door openings etc. form the weather tightness barrier to the external wall of the building. As such, a fit-for-purpose acrylic coating system and compatible external grade sealants, applied in accordance with manufacturers specification (and maintained in accordance with the manufacturers maintenance schedule) are important in ensuring the ongoing weather tightness performance and long term durability of the external wall system.

HEBEL HOUSES AND LOW RISE
MULTI RESIDENTIAL
POWERPANEL⁵⁰ EXTERNAL WALLS
VERTICAL INSTALLATION

Design & Installation Guide


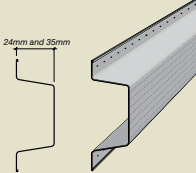




Typical home construction application - vertical installation




The patented Hebel Perforated Top Hat for fast and robust installation.

2.1 SYSTEM COMPONENTS

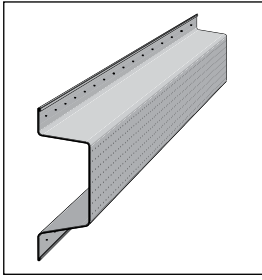
The PowerPanel⁵⁰ vertically installed External Wall System is a complete system and Hebel stocks many of the products and materials required for your convenience.

Product	Description	Supplied by CSR Hebel																						
Hebel PowerPanel ⁵⁰	<p>The core component of the Hebel PowerPanel⁵⁰ vertically installed External Wall System is the 50mm thick Hebel PowerPanel⁵⁰ panel. The panel is manufactured in a range of stock sizes as detailed below:</p> <table border="1"> <thead> <tr> <th colspan="3">Panel weight (kg)</th> </tr> <tr> <th>Length (mm)</th> <th>Width (mm)</th> <th>Weight (kg) at 35% M.C.</th> </tr> </thead> <tbody> <tr> <td>2400</td> <td>600</td> <td>50</td> </tr> <tr> <td>2550</td> <td>600</td> <td>53</td> </tr> <tr> <td>2700</td> <td>600</td> <td>56</td> </tr> <tr> <td>2850</td> <td>600</td> <td>59</td> </tr> <tr> <td>3000</td> <td>600</td> <td>62</td> </tr> </tbody> </table> <p>NOTE: Average panel weight calculated at 35% moisture content.</p>	Panel weight (kg)			Length (mm)	Width (mm)	Weight (kg) at 35% M.C.	2400	600	50	2550	600	53	2700	600	56	2850	600	59	3000	600	62	✓	
Panel weight (kg)																								
Length (mm)	Width (mm)	Weight (kg) at 35% M.C.																						
2400	600	50																						
2550	600	53																						
2700	600	56																						
2850	600	59																						
3000	600	62																						
Top Hat	<p>Hebel Perforated Top Hats are used to fix the Hebel PowerPanel⁵⁰ panel to the structural support framing. There are two nominal widths available: 24mm and 35mm – incorporating perforated flanges for ease of installation on to external wall frame.</p>	✓																						
RONDO M515	<p>M515 top hats are used to fix the Hebel PowerPanel⁵⁰ panel to the structural support framing.</p>	✓																						
Fasteners & Fixings	<p>Fixing of top hat to timber stud frame; 12-11x35mm hex head type 17 screw.</p>	✓																						
	<p>Fixing of top hat to steel framing; 10-16x16mm hex head self drilling screw.</p>	✓																						
	<p>Fixing of Hebel PowerPanel⁵⁰ panels to top hat 14-10x65mm bugle head type 17 screw.</p>	✓																						

Product	Description	Supplied by CSR Hebel	
Hebel Mortar	Hebel Mortar (supplied in 20kg bags) when required is used as a thick bed mortar base to provide a level base for PowerPanel ⁵⁰ installation as well as providing acoustic and fire protection at the base of the panels.	✓	
Hebel Adhesive	Hebel Adhesive (supplied in 20kg bags) is used for gluing the PowerPanel ⁵⁰ panels together at vertical and horizontal joints.	✓	
Hebel Patch	Minor chips or damage to PowerPanel ⁵⁰ panels are to be repaired using Hebel Patch (supplied in 10kg bags).	✓	
Hebel Anti-Corrosion Protection Paint	To coat exposed reinforcement during cutting.	✓	
Hebel Base Sealer	For use when sealing the base of Hebel panels that may come into contact with soil levels (Supplied in 5L tubs).	✓	
Hebel External Aluminium Render Bead (Optional)	Hebel External Aluminium Render Bead is used to provide neat and consistent horizontal control joints.	✓	

NOTE: CSR has engineered and tested the PowerPanel⁵⁰ External Wall System to comply with the NCC and relevant Australian Standards. It cannot guarantee products and accessories not specified by CSR will perform to these standards. The Product Guarantee will only apply if all components used in the system are specified by CSR.

HEBEL PERFORATED TOP HAT



Hebel Perforated Top Hats in galvanised steel are provided in nominal widths of 24mm and 35mm and have been designed and constructed in accordance with AS 3623 and AS/NZS 4600 (NCC Performance Requirement). The following tables are based on 15mm RONDO M515 top hat, 24mm and 35mm Hebel perforated top hat section.

24mm Perforated Steel Top Hat section properties:

- Cold-formed perforated steel top hats
- Minimum thickness 0.42mm BMT
- Minimum yield strength 550MPa (zincalume)
- Coating class AZ150 (see Durability).

35mm Perforated Steel Top Hat section properties:

- Cold-formed perforated steel top hats
- Minimum thickness 0.55mm BMT
- Minimum yield strength 270MPa (Galvabond)
- Coating class Z275 (see Durability).

2.2 DESIGN TABLES

PANEL SUPPORTED AT BASE

PowerPanel⁵⁰ External wall system for use with 24mm and 35mm top hat section and RONDO M515 top hat

Table 2.2.1 Number of top hats - panel supported at base on slab edge

Wind category	Ultimate wind pressure (kPa)		Stud spacing (mm)	Number of top hats per panel					
	Away from corners	Within 1200mm of corners		Panel length (mm)					
				≤ 2400		≤ 2700		≤ 3000	
				Panel location		Panel location		Panel location	
				Typical	Corner	Typical	Corner	Typical	Corner
N2	0.67/-0.62	-1.25	600	4	4	4	4	4	4
N3,C1	1.05/-0.98	-1.95	600	4	4	4	4	4	5
N3,C1	1.05/-0.98	-1.95	450	4	4	4	4	4	4
N4,C2	1.56/-1.45	-2.90	450	4	6	4	6	4	6

Table 2.2.2 Number of screws per panel at each top hat location – panel supported at base on slab edge

Wind category	Ultimate wind pressure (kPa)		Stud spacing (mm)	Number of screws per panel per top hat			
	Away from corners	Within 1200mm of corners		Panel location			
				Typical		Corner	
				Top hat location		Top hat location	
				Ends	Middle	Ends	Middle
N2	0.67/-0.62	-1.25	600	2	2	3	4
N3,C1	1.05/-0.98	-1.95	600	2	3	3	4
N3,C1	1.05/-0.98	-1.95	450	2	3	4	4
N4,C2	1.56/-1.45	-2.90	450	3	3	4	4

NOTES:

1. Negative pressure indicates wind suction.
2. All top hats to be spaced evenly, with top and bottom top hats installed 250mm (maximum) from the end of the PowerPanel⁵⁰.
3. Minimum 2 screws per top hat is required at each stud (max 600mm centres).
4. Corner panel location applies to a PowerPanel⁵⁰ panel within 1200mm of corners.
5. For the design of intermediate panel lengths use the same design as the longer panels presented in Tables 2.2.1 and 2.2.3
6. The building designer must allow for internal pressures resulting from dominant openings when the building is designed to AS1170.2 for regions C and D.

PANEL SUSPENDED FROM FRAME

PowerPanel⁵⁰ External wall system for use with 24mm and 35mm Hebel top hat section and RONDO M515 top hat

Table 2.2.3 Number of top hats - panel suspended from frame

Wind category	Ultimate wind pressure (kPa)		Stud spacing (mm)	Number of top hats per panel					
	Away from corners	Within 1200mm of corners		Panel length (mm)					
				≤ 2400		≤ 2700		≤ 3000	
	Panel location			Panel location		Panel location			
	Typical	Corner		Typical	Corner	Typical	Corner		
N2	0.67/-0.62	-1.25	600	4	4	4	4	4	4
N3,C1	1.05/-0.98	-1.95	600	4	4	4	4	4	5
N3,C1	1.05/-0.98	-1.95	450	4	4	4	4	4	4
N4,C2	1.56/-1.45	-2.90	450	4	6	4	6	4	6

Table 2.2.4 Number of screws per panel at each top hat location – panel suspended from frame

Wind category	Ultimate wind pressure (kPa)		Stud spacing (mm)	Number of screws per panel per top hat			
	Away from corners	Within 1200mm of corners		Panel location			
				Typical		Corner	
	Top hat location			Top hat location			
	Ends	Middle		Ends	Middle		
N2	0.67/-0.62	-1.25	600	2	2	3	4
N3,C1	1.05/-0.98	-1.95	600	2	3	3	4
N3,C1	1.05/-0.98	-1.95	450	2	3	4	4
N4,C2	1.56/-1.45	-2.90	450	3	3	4	4

NOTES:

1. Negative pressure indicates wind suction.
2. All top hats to be spaced evenly, with top and bottom top hats installed 250mm (maximum) from the end of the PowerPanel⁵⁰.
3. Minimum 2 screws per top hat is required at each stud (max 600mm centres).
4. Corner panel location applies to a PowerPanel⁵⁰ panel within 1200mm of corners.
5. For the design of intermediate panel lengths use the same design as the longer panels presented in Tables 2.2.1 and 2.2.3.
6. The building designer must allow for internal pressures resulting from dominant openings when the building is designed to AS1170.2 for regions C and D.

FIXINGS

Table 2.2.5 outlines the connection type and requirements for constructing Hebel PowerPanel⁵⁰ detailed in this design guide.

The project engineer or framing manufacturer is responsible for specification of alternative details. The minimum performance requirement of the screw is:

- Minimum screw coating class in accordance with AS 3566: Class 3 (Refer Section 1.4 for Durability).

Table 2.2.5 Screws types

Type of screw	Application	Socket type
12-11x35mm hex head type 17 screw	Fix top hat to timber frame	5/16" hex mag. socket
10-16x16mm hex head self drilling screw	Fix top hat to steel stud frame (1.2mm BMT max.)	5/16" hex mag. socket
14-10x65mm bugle head type 17 screw*	Fix PowerPanel ⁵⁰ to top hat from outside of building	5mm hex drive

* The screws fixing the PowerPanel⁵⁰ panels to top hats are countersunk min. 5mm into the panel and filled with Hebel Adhesive

2.3 THERMAL PERFORMANCE

Table 2.3.1 Thermal performance of vertically installed Hebel PowerPanel⁵⁰ external wall system – timber stud frame

Hebel code	Description						Total R-value m ² .K/W	
	Platerboard	Stud frame	Batts	Wall wrap	Top hat cavity	Hebel Panel	Summer	Winter
Hebel2094	10mm Gyprock Plasterboard Plus	70mm timber stud frame	None	Polyair Performa 4.0 XHD	15mm	PowerPanel ⁵⁰	1.72	1.74
Hebel2095			70mm Bradford Soundscreen Batts R2.0	Thermoseal Wall Wrap XP			2.71	2.84
Hebel2096			70mm Bradford Soundscreen Batts R2.0	Enviroseal Proctorwrap RW			2.42	2.55
Hebel1649			None	Polyair Performa 4.0 XHD	24mm		1.92	1.96
Hebel2097			None	Thermoseal Wall Wrap Prime			1.31	1.37
Hebel2098			75mm Bradford Gold Wall Batts R1.5	Thermoseal Wall Wrap Prime			1.96	2.09
Hebel1650			70mm Bradford Soundscreen Batts R2.0	Thermoseal Wall Wrap XP			2.78	2.91
Hebel1651			70mm Bradford Soundscreen Batts R2.0	Enviroseal Proctorwrap RW	2.43		2.56	
Hebel1654			None	Polyair Performa 4.0 XHD	35mm		1.92	1.96
Hebel2099			None	Thermoseal Wall Wrap Prime			1.31	1.37
Hebel2100			75mm Bradford Gold Wall Batts R1.5	Thermoseal Wall Wrap Prime			1.96	2.09
Hebel1655			70mm Bradford Soundscreen Batts R2.0	Thermoseal Wall Wrap XP			2.77	2.93
Hebel1656			70mm Bradford Soundscreen Batts R2.0	Enviroseal Proctorwrap RW	2.41		2.59	
Hebel2101			90mm timber stud frame	None	Polyair Performa 4.0 XHD		15mm	1.72
Hebel2102		90mm Bradford Gold Wall Batts R2.0		Thermoseal Wall Wrap XP	2.70			2.85
Hebel2103		90mm Bradford Gold Wall Batts R2.5		Enviroseal Proctorwrap RW	2.77			2.91
Hebel2104		90mm Bradford Gold Wall Batts R2.7		Enviroseal Proctorwrap RW	2.91		3.04	
Hebel1664		None		Polyair Performa 4.0 XHD	24mm		1.92	1.96
Hebel2105		None		Thermoseal Wall Wrap Prime			1.33	1.39
Hebel2106		90mm Bradford Gold Wall Batts R2.0		Thermoseal Wall Wrap Prime			2.42	2.58
Hebel1665		90mm Bradford Gold Wall Batts R2.0		Thermoseal Wall Wrap XP			2.77	2.93
Hebel1666		90mm Bradford Gold Wall Batts R2.5		Enviroseal Proctorwrap RW	2.78		2.93	
Hebel1668		90mm Bradford Gold Wall Batts R2.7		Enviroseal Proctorwrap RW	2.91		3.06	
Hebel1671		None		Polyair Performa 4.0 XHD	35mm		1.92	1.96
Hebel2107		None		Thermoseal Wall Wrap Prime			1.33	1.39
Hebel2108		90mm Bradford Gold Wall Batts R2.0		Thermoseal Wall Wrap Prime			2.42	2.58
Hebel1672		90mm Bradford Gold Wall Batts R2.0		Thermoseal Wall Wrap XP			2.77	2.93
Hebel1673		90mm Bradford Gold Wall Batts R2.5	Enviroseal Proctorwrap RW	2.78			2.93	
Hebel1675	90mm Bradford Gold Wall Batts R2.7	Enviroseal Proctorwrap RW	2.91	3.06				

NOTES:

1. Refer to NCC for state & territory variations.
2. Refer to NCC for alternative means of satisfying the required performance levels.
3. Refer to CSR Bradford product literature for design & installation requirements on wall wrap/ sarking and insulation.
4. The density of Gyprock plasterboard plus is 5.7 kg/m².
5. Stated R-values in Tables 2.3.1 and 2.3.2 has been provided by J.Fricker in report i107f dated 16/06/2020.
6. Stated R-value in Tables 2.3.1 and 2.3.2 includes 6mm skim render.

Table 2.3.2 Thermal performance of vertically installed Hebel PowerPanel50 external wall system – steel stud frame

Hebel code	Description						Total R-value m ² .K/W	
	Platerboard	Stud frame	Batts	Wall wrap	Top hat cavity	Hebel Panel	Summer	Winter
Hebel2079	10mm Gyprock Plasterboard Plus	64mm steel stud frame	None	Polyair Performa 4.0 XHD	15mm	PowerPanel ⁵⁰	1.61	1.63
Hebel2080			70mm Bradford Soundscreen Batts R2.0	Thermoseal Wall Wrap XP			2.36	2.46
Hebel2081			70mm Bradford Soundscreen Batts R2.0	Enviroseal Proctorwrap RW			1.99	2.09
Hebel1634			None	Polyair Performa 4.0 XHD	24mm		1.81	1.85
Hebel1635			70mm Bradford Soundscreen Batts R2.0	Thermoseal Wall Wrap XP			2.44	2.56
Hebel1636			70mm Bradford Soundscreen Batts R2.0	Enviroseal Proctorwrap RW			2.00	2.11
Hebel1639			None	Polyair Performa 4.0 XHD	35mm		1.81	1.85
Hebel1640			70mm Bradford Soundscreen Batts R2.0	Thermoseal Wall Wrap XP			2.44	2.56
Hebel1641			70mm Bradford Soundscreen Batts R2.0	Enviroseal Proctorwrap RW			2.00	2.11
Hebel2082			70mm steel stud frame	None	Thermoseal Wall Wrap Prime		24mm	1.21
Hebel2083		75mm Bradford Gold Wall Batts R1.5		Thermoseal Wall Wrap Prime	1.74			1.87
Hebel2084		None		Thermoseal Wall Wrap Prime	35mm		1.21	1.26
Hebel2085		75mm Bradford Gold Wall Batts R1.5		Thermoseal Wall Wrap Prime			1.74	1.87
Hebel2086		90mm steel stud frame	None	Thermoseal Wall Wrap Prime	24mm		1.21	1.27
Hebel2087			90mm Bradford Gold Wall Batts R2.0	Thermoseal Wall Wrap Prime			2.07	2.21
Hebel2088			None	Thermoseal Wall Wrap Prime	35mm		1.21	1.27
Hebel2089			90mm Bradford Gold Wall Batts R2.0	Thermoseal Wall Wrap Prime			2.07	2.21
Hebel2090		92mm steel stud frame	None	Polyair Performa 4.0 XHD	15mm		1.61	1.63
Hebel2091			90mm Bradford Gold Wall Batts R2.0	Thermoseal Wall Wrap XP			2.43	2.57
Hebel2092			90mm Bradford Gold Wall Batts R2.5	Enviroseal Proctorwrap RW			2.31	2.44
Hebel2093			90mm Bradford Gold Wall Batts R2.7	Enviroseal Proctorwrap RW			2.41	2.53
Hebel1685			None	Polyair Performa 4.0 XHD			24mm	1.81
Hebel1686			90mm Bradford Gold Wall Batts R2.0	Thermoseal Wall Wrap XP	2.51			2.67
Hebel1687			90mm Bradford Gold Wall Batts R2.5	Enviroseal Proctorwrap RW	2.32			2.46
Hebel1689			90mm Bradford Gold Wall Batts R2.7	Enviroseal Proctorwrap RW	2.42			2.55
Hebel1692			None	Polyair Performa 4.0 XHD	35mm			1.81
Hebel1693			90mm Bradford Gold Wall Batts R2.0	Thermoseal Wall Wrap XP			2.51	2.67
Hebel1694			90mm Bradford Gold Wall Batts R2.5	Enviroseal Proctorwrap RW			2.32	2.46
Hebel1695			90mm Bradford Gold Wall Batts R2.7	Enviroseal Proctorwrap RW			2.42	2.55

Table 2.3.3 Guidance on wall wrap/sarking

Performance criteria	Guidance on wall wrap / sarking	Recommended wall wrap/ sarking	Reflective or non-reflective
Vapour barrier	Vapour barrier products are not recommended for condensation control in colder climate zones in conjunction with high insulation R Values.	Polyair Performa 4.0 XHD	Reflective double-sided
		Thermoseal Wall Wrap XP	Reflective single-sided
		Thermoseal Wall Wrap Prime	Reflective single-sided
Vapour permeable	Vapour permeable products are not recommended for use in tropical climate zones.	Enviroseal ProctorWrap RW	Non-reflective

NOTES:

1. Refer to NCC for state & territory variations.
2. Refer to NCC for alternative means of satisfying the required performance levels.
3. Refer to CSR Bradford product literature for design & installation requirements on wall wrap/ sarking and insulation.
4. The density of Gyprock plasterboard plus is 5.7 kg/m².
5. Stated R-values in Tables 2.3.1 and 2.3.2 has been provided by J.Fricker in report i107f dated 16/06/2020.
6. Stated R-value in Tables 2.3.1 and 2.3.2 includes 6mm skim render.

2.4 INSTALLATION OVERVIEW

1. COMPLETE FRAMES AND TRUSSES

2. DPC

- Fix DPC to bottom plate of frame
- Cover rebate completely
- Overlap DPC at corners



3. WALL WRAP

- Install wrap as specified by supplier ensuring that it overlaps DPC at base



4. TOP HATS

- Check control joint layouts for installation of discontinuous top hats
- Check the number of top hats and screws required (refer to tables on pages 20 and 21)
- Use packers and pack top hat to string line where required, screw to frame
- Check with a straight edge/spirit level that top hats are plumb
- Install top hats above and below openings



5. CUTTING PANELS

- Cut panels to size. Panels typically to be no less than 270mm wide. Where narrower panels are used, these panels must not be less than 100mm in width and must be installed between full width panels. Reinforced fibreglass mesh to be embedded in base levelling coat across the full width of the narrower panel.
- Ensure any exposed steel reinforcing has been coated with Hebel anti-corrosion paint



6. ADHESIVE

- Mix adhesive to a thick flowable consistency
- Apply Hebel adhesive to entire edge of panel with notched trowel
- The use of notched trowel to apply Hebel adhesive at the panel joints is essential to ensure sufficient adhesive is applied. Insufficient application of adhesive at the panel joints may result in hairline cracks at the joints.



7. CONTROL JOINT

- Check control joint layout
- Install backing rod into control joint at the required depth
- Apply suitable sealant to control joint
- Clean up any excess sealant ensuring it does not adhere to panel face



8. HEBEL POWERPANEL⁵⁰ PANELS

- Corner PowerPanel⁵⁰ panel to be installed first, lifting into place using panel lifters
- Fix panel to top hats (refer to tables on pages 20 and 21)
- Check panel is straight and level
- Continue installation by lifting panels into position
- Butt panel tightly to adjoining panel, screwing off as you go
- Adhesive should slightly ooze from the joint
- Once the joint adhesive is semi hard it can be cleaned up with a pallet knife, ensuring adhesive is flush with the panel face
- Patch holes and minor panel damage



9 FINISH WALL

- Trim off excess DPC
- Lightly sand and prepare surface ready for acrylic coating



2.5 TOOLS AND EQUIPMENT

The basic tools required to assist in the installation of the PowerPanel⁵⁰ External Wall System are shown in Figure 2.5.1. These may be purchased through a Hebel distributor and include:

- 1. Stirrer** – fitted to the electric drill, the stirrer is used to mix the Hebel Mortar, Hebel Adhesive and base levelling coat render inside the mixing bucket
- 2. Notched trowel** – the notched trowel is used to apply the Hebel Adhesive to the Hebel surfaces. The width of the trowel must match the panel thickness to ensure the adhesive is applied with full and even coverage
- 3. Panel lifters** – used to carry the panels around the work site
- 4. Sand float** – used to remove excess Hebel Adhesive and smooth joints between panels
- 5. Levelling plane** – used to even out inconsistencies in the Hebel panels.

Extra equipment will also be required and includes the following:

- Power drill (clutch driven)
- Power saw with metal or diamond tipped cutting blades
- Dust extraction system
- Sockets for screws
- Personal Protective Equipment (PPE) such as goggles, ear muffs/plugs and face mask used when site cutting the PowerPanel⁵⁰ panels.



Figure 2.5.1 Hebel tools

2.6 INSTALLATION OF SERVICES

The installation of services in the building are the same as the methods currently being used throughout the industry.

Services should be installed through the frame to avoid interfering with top hat layout, but if they are to be fixed on the outside of the frame, they should only run horizontally



Figure 2.6.1 Installed piping services prior to the installation of Hebel PowerPanel⁵⁰

parallel to the top hats – typically 300mm up from the bottom plate.

Penetrations through the PowerPanel⁵⁰ panel for services should be neatly filled and the joint sealed.



Figure 2.6.2 Neat finishes of installed services

2.7 EXTERNAL ALUMINIUM RENDER BEAD (OPTIONAL)



Figure 2.7.1 Neat finish of horizontal joints

The external aluminium render bead can be used as an option at horizontal joints to provide neat and consistent finish joints. After installation of the PowerPanel⁵⁰ panels, the render bead is applied and hold onto place by using Hebel adhesive. Suitable external grade sealant is to be applied at the joint before rendering.

NOTES:

The external aluminium render bead is not recommended in the following conditions:

- Within 100m of breaking surf.
- Within 100m of heavy industrial emissions.
- Areas exposed to prevailing winds containing salt of heavy industrial emissions.
- Where continuous or cyclical moisture is present (eg retaining walls, planter boxes, garden beds)
- Environments where bore water or soils contain high chloride content.

2.8 CONSTRUCTION DETAILS – OVERVIEW

Table 2.8.1 CONSTRUCTION DETAILS

Single storey construction details	Isometric view detail panel supported at base	Figure 2.9.1.1	Page 29
	Isometric view detail panel suspended	Figure 2.9.1.2	Page 29
	Hip roof elevation	Figure 2.9.1.3	Page 30
	Gable end elevation	Figure 2.9.1.4	Page 30
	Typical section detail	Figure 2.9.1.5	Page 31
	High wall section detail (3900mm)	Figure 2.9.1.6	Page 31
Two storey construction details	Isometric view detail	Figure 2.9.2.1	Page 32
	Typical section detail with brick veneer below	Figure 2.9.2.2	Page 33
	Typical section detail with double brick below	Figure 2.9.2.3	Page 33
Fixing installation details	Hebel PowerPanel ⁵⁰ External wall system fixing detail - vertical installation	Figure 2.9.3.1	Page 34
	Screw layout drawing	Figure 2.9.3.2	Page 34
Footing junction details	Junction to shallow concrete footing	Figure 2.9.4.1	Page 35
	Junction to deep concrete edge beam	Figure 2.9.4.2	Page 35
	Junction to masonry earth retaining wall	Figure 2.9.4.3	Page 35
	Junction to masonry dwarf wall	Figure 2.9.4.4	Page 35
	Junction to existing piers/stumps	Figure 2.9.4.5	Page 36
	Base detail suspended floor - pier connection	Figure 2.9.4.6	Page 36
	Junction to shallow concrete edge beam	Figure 2.9.4.7	Page 36
	Junction to steel angle	Figure 2.9.4.8	Page 36
	Junction to Hebel below finish ground	Figure 2.9.4.9	Page 37
	Junction to Hebel below concrete pavement slab	Figure 2.9.4.10	Page 37
Wall junction details & sections	Typical roof eaves detail - Option 1	Figure 2.9.5.1	Page 37
	Typical roof eaves detail - Option 2	Figure 2.9.5.2	Page 37
	Gutter on top of Hebel wall	Figure 2.9.5.3	Page 38
	Gutter on face of Hebel wall	Figure 2.9.5.4	Page 38
	Roof to wall junction detail	Figure 2.9.5.5	Page 38
	Balcony detail	Figure 2.9.5.6	Page 38
	Parapet capping	Figure 2.9.5.7	Page 38
	Hebel to pitched roof junction	Figure 2.9.5.8	Page 38
	Gable end wall detail	Figure 2.9.5.9	Page 39
	Gable end wall detail - lintel panel over window	Figure 2.9.5.10	Page 39
	Beam penetration detail	Figure 2.9.5.11	Page 39
	Column detail (glued and screwed)	Figure 2.9.5.12	Page 39

Control joints	Internal corner	Figure 2.9.6.1	Page 40
	External corner	Figure 2.9.6.2	Page 40
	Typical detail for control joints positioned on corner	Figure 2.9.6.3	Page 41
	Typical detail for control joints positioned on corner	Figure 2.9.6.4	Page 41
	Typical horizontal control joint - engineered timber or steel frame	Figure 2.9.6.5	Page 42
	Horizontal control joint - Cavity brickwork to Hebel PowerPanel ⁵⁰	Figure 2.9.6.6	Page 42
	Horizontal control joint - Brick veneer to Hebel PowerPanel ⁵⁰ - Option 1	Figure 2.9.6.7	Page 42
	Horizontal control joint - Brick veneer to Hebel PowerPanel ⁵⁰ - Option 2	Figure 2.9.6.8	Page 42
	Typical vertical control joint	Figure 2.9.6.9	Page 43
	Typical vertical control joint with double studs	Figure 2.9.6.10	Page 43
	Control joint - discontinuous top hats on single stud	Figure 2.9.6.11	Page 43
	Typical window control joint detail - lintel over	Figure 2.9.6.12	Page 43
	Door & window detail	Typical window sill detail - aluminium window frame - Option 1	Figure 2.9.7.1
Typical window sill detail - aluminium window frame - Option 2		Figure 2.9.7.2	Page 44
Typical window sill detail - aluminium window frame - Option 3		Figure 2.9.7.3	Page 44
Header detail		Figure 2.9.7.4	Page 44
Garage head detail		Figure 2.9.7.5	Page 44
Garage door - jamb detail - Option 1		Figure 2.9.7.6	Page 44
Garage door - jamb detail - Option 2		Figure 2.9.7.7	Page 44
Sliding door sill detail - Concrete sill < 270mm		Figure 2.9.7.8	Page 45
Sliding door sill detail - PowerPanel ⁵⁰ sill > 270mm		Figure 2.9.7.9	Page 45
Miscellaneous detail		Panel layout drawing	Figure 2.9.8.1

Project specific requirements: please contact CSR Hebel for advice on any project specific designs not covered in this Design and Installation Guide.

2.9 CONSTRUCTION DETAILS

2.9.1 SINGLE STOREY CONSTRUCTION DETAILS

Figure 2.9.1.1 Single storey construction – isometric view detail panel supported at base

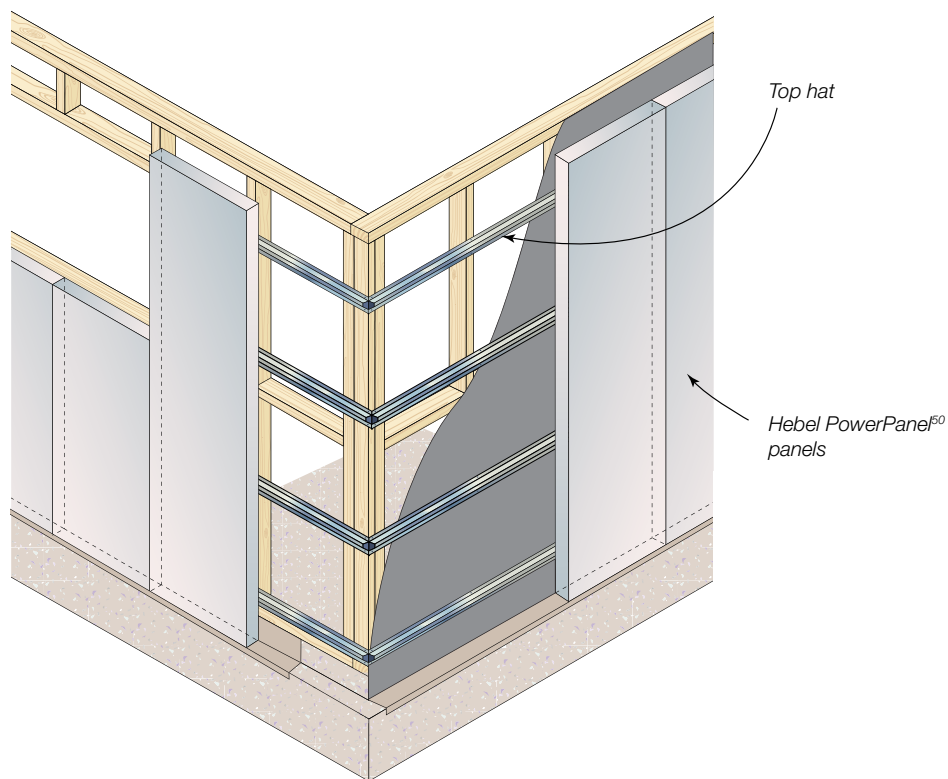
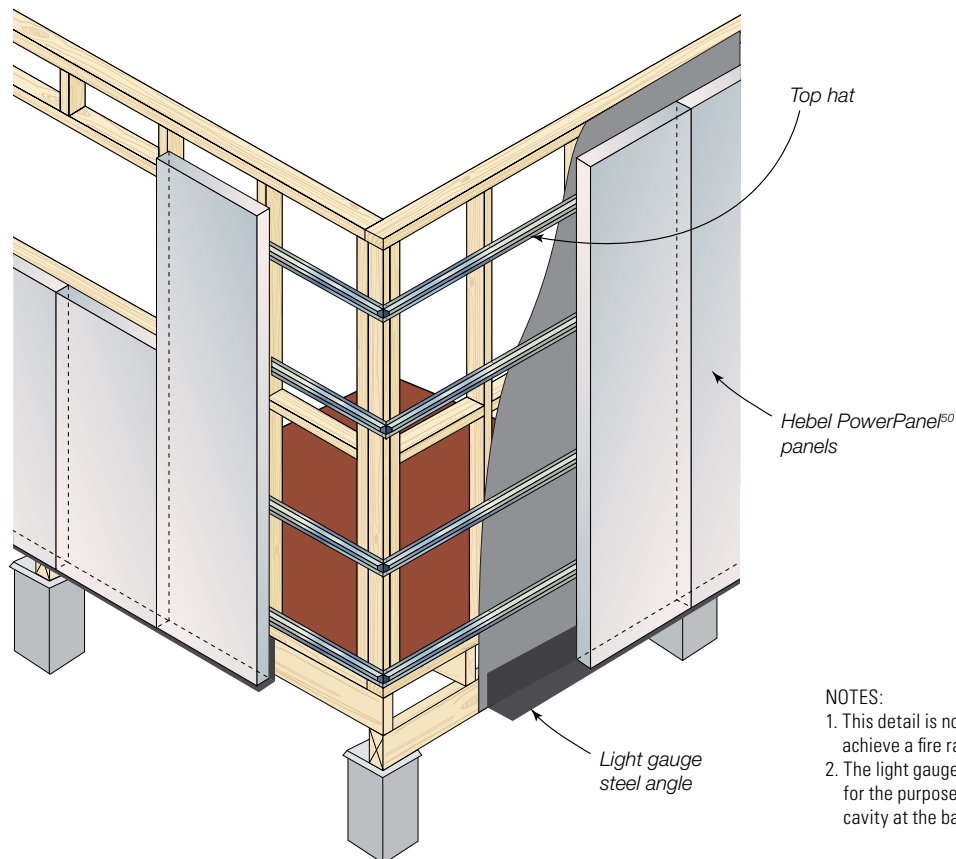


Figure 2.9.1.2 Single storey construction – isometric view detail panel suspended



- NOTES:
1. This detail is not considered to achieve a fire rating level.
 2. The light gauge steel angle is for the purpose of closing the cavity at the base of the wall.

Figure 2.9.1.3 Single storey construction – hip roof elevation

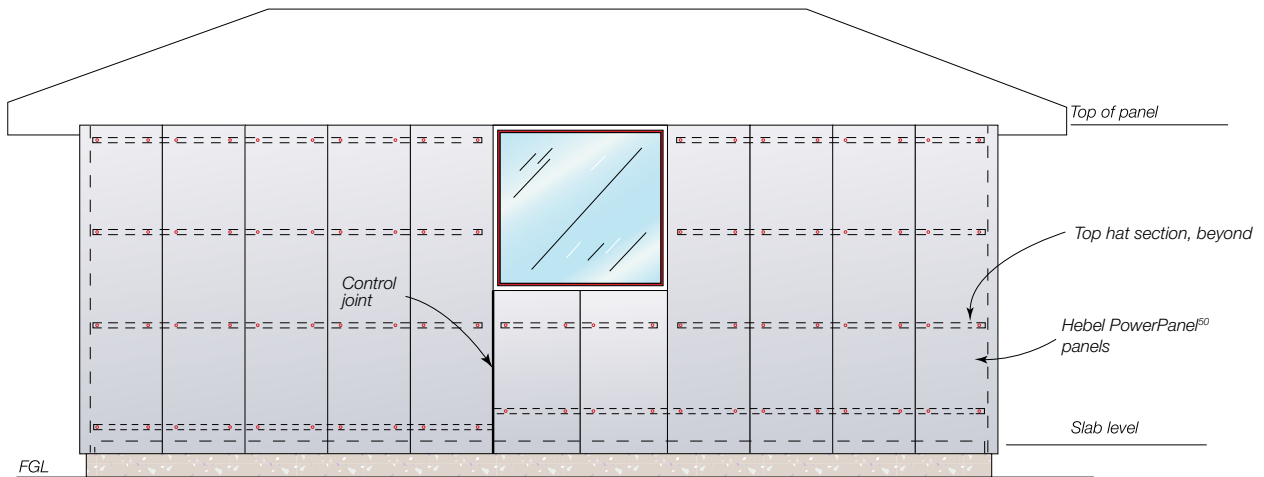
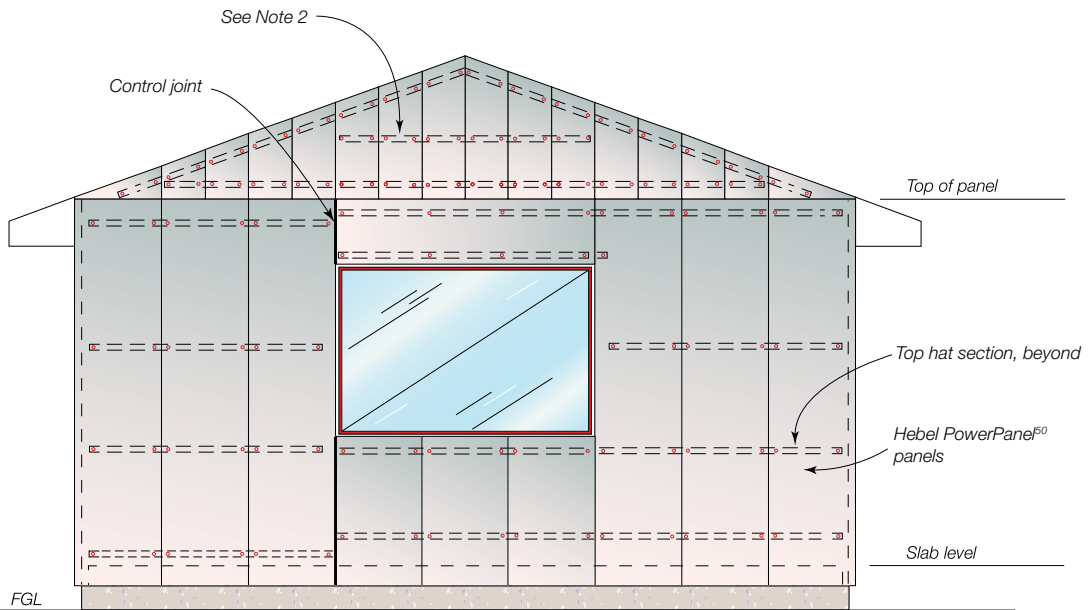


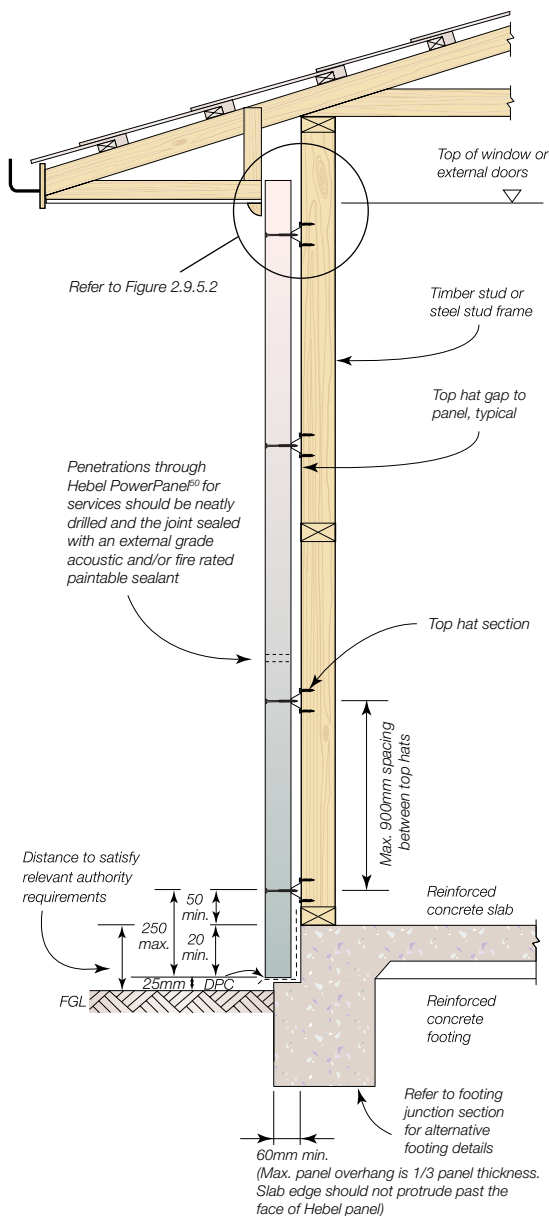
Figure 2.9.1.4 Single storey construction – gable end elevation



NOTES:

1. Number of top hats and top hat spacing to be confirmed by the building designer.
2. Additional top hats may be required, for suspended panels. Refer to Table 2.2.3 of this guide.
3. These details have not shown the set-out of top hats to accommodate control joint locations. This is the responsibility of the building designer.
4. Horizontally installed Hebel PowerPanel⁵⁰ panels above openings can be installed with top hat sections running horizontally or vertically. A minimum 3 top hat sections will be required for vertically installed top hats. All top hats to be spaced evenly, with the two outer top hats installed 250mm (maximum) from the end of the PowerPanel⁵⁰. Refer to design tables 2.2.1 and 2.2.2.

Figure 2.9.1.5 Single storey construction – typical section detail



Distance to satisfy relevant authority requirements

50 min.
250 max.
20 min.
25mm

DPC

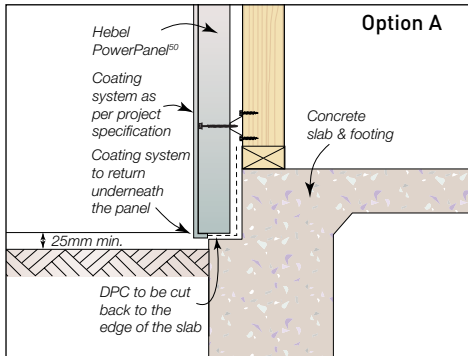
FGL

Reinforced concrete slab

Reinforced concrete footing

60mm min.
(Max. panel overhang is 1/3 panel thickness. Slab edge should not protrude past the face of Hebel panel)

Option A



Hebel PowerPanel⁵⁰

Coating system as per project specification

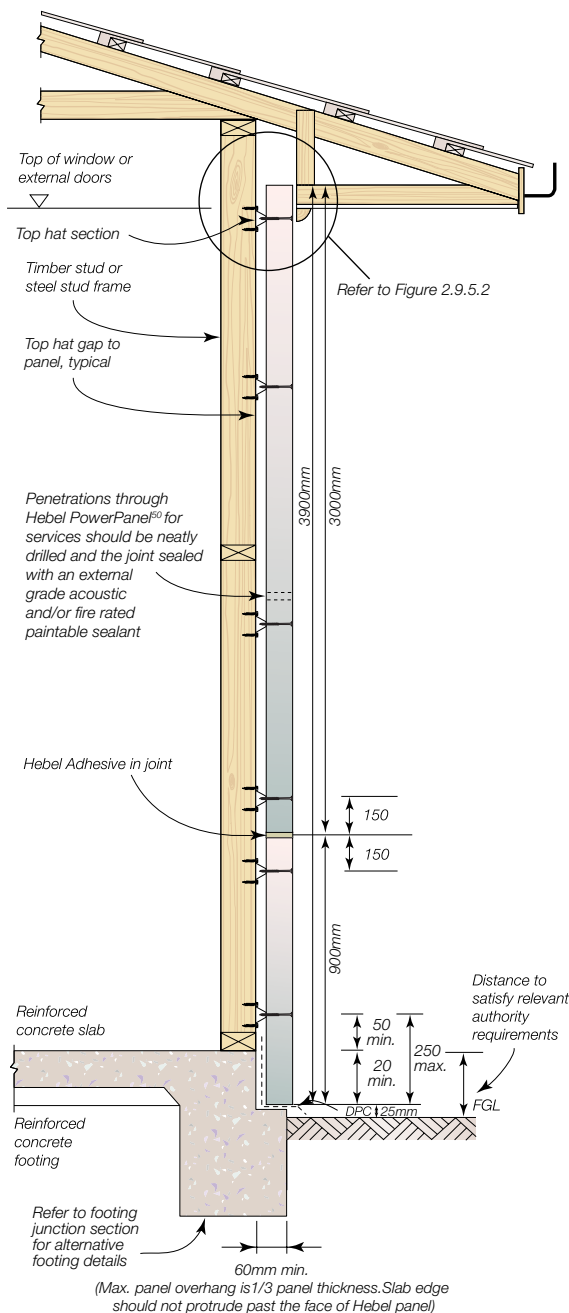
Coating system to return underneath the panel

Concrete slab & footing

25mm min.

DPC to be cut back to the edge of the slab

Figure 2.9.1.6 Single storey construction – high wall section detail (3900mm)



Penetrations through Hebel PowerPanel⁵⁰ for services should be neatly drilled and the joint sealed with an external grade acoustic and/or fire rated paintable sealant

Hebel Adhesive in joint

150

150

900mm

Reinforced concrete slab

Reinforced concrete footing

DPC 125mm

FGL

60mm min.

Distance to satisfy relevant authority requirements

50 min.

20 min.

250 max.

3900mm

3000mm

Top hat section

Timber stud or steel stud frame

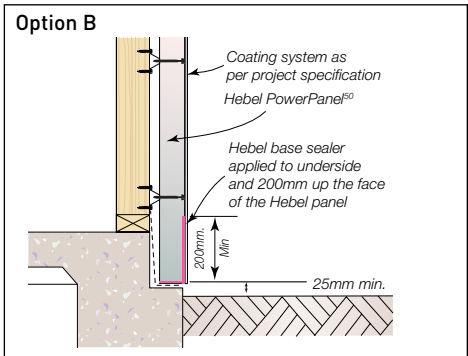
Top hat gap to panel, typical

Top of window or external doors

Refer to Figure 2.9.5.2

Refer to Figure 2.9.5.2

Option B



Coating system as per project specification

Hebel PowerPanel⁵⁰

Hebel base sealer applied to underside and 200mm up the face of the Hebel panel

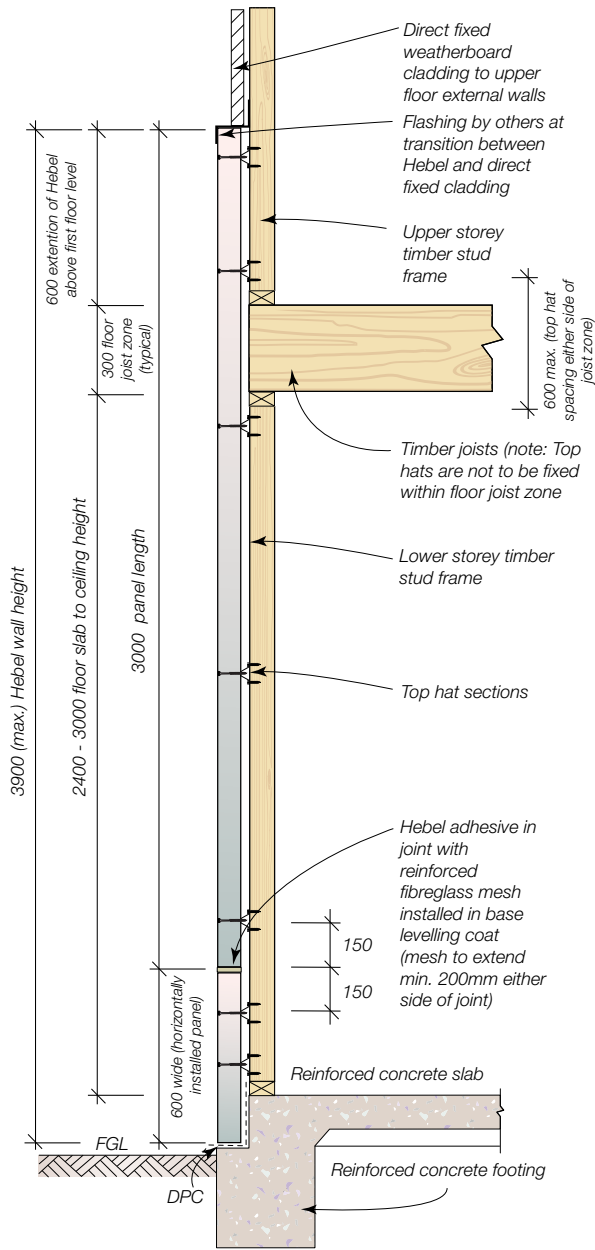
200mm

25mm min.

NOTES:

- Figures 2.9.1.5 and 2.9.1.6 slab edge details do not comply with the termite visible inspection zone requirements. Alternate termite management systems must be used when selecting these details. It is the responsibility of the builder to provide a suitable physical or chemical barrier in accordance with AS 3660.
- Hebel PowerPanel⁵⁰ panels are supported at the base on concrete slab edge.
- The distance from the underside of the PowerPanel⁵⁰ panel to Finished Ground Level (FGL) may be 25mm min. or as per relevant authority requirements, see option A and B. Ensure soil is cut away at the slab edge to provide enough room to accommodate the coating of the underside of the panel (applies to option A only). For more details please contact Hebel Technical services to obtain a copy of Hebel Technical Update TU-033.
- Where the slab edge is rendered on sites that contain saline soils, please refer to page 6 of the guide for further details.

Figure 2.9.1.7 Hebel external wall cladding detail extending above first floor



Note: 600mm wide (horizontally installed panel) can be installed above full length panel provided Hebel adhesive in joint with reinforced fibreglass mesh is installed in base levelling coat (mesh to extend min. 200mm either side of joint)

2.9.2 TWO STOREY ADDITION DETAILS

Figure 2.9.2.1 Two storey addition – isometric view detail

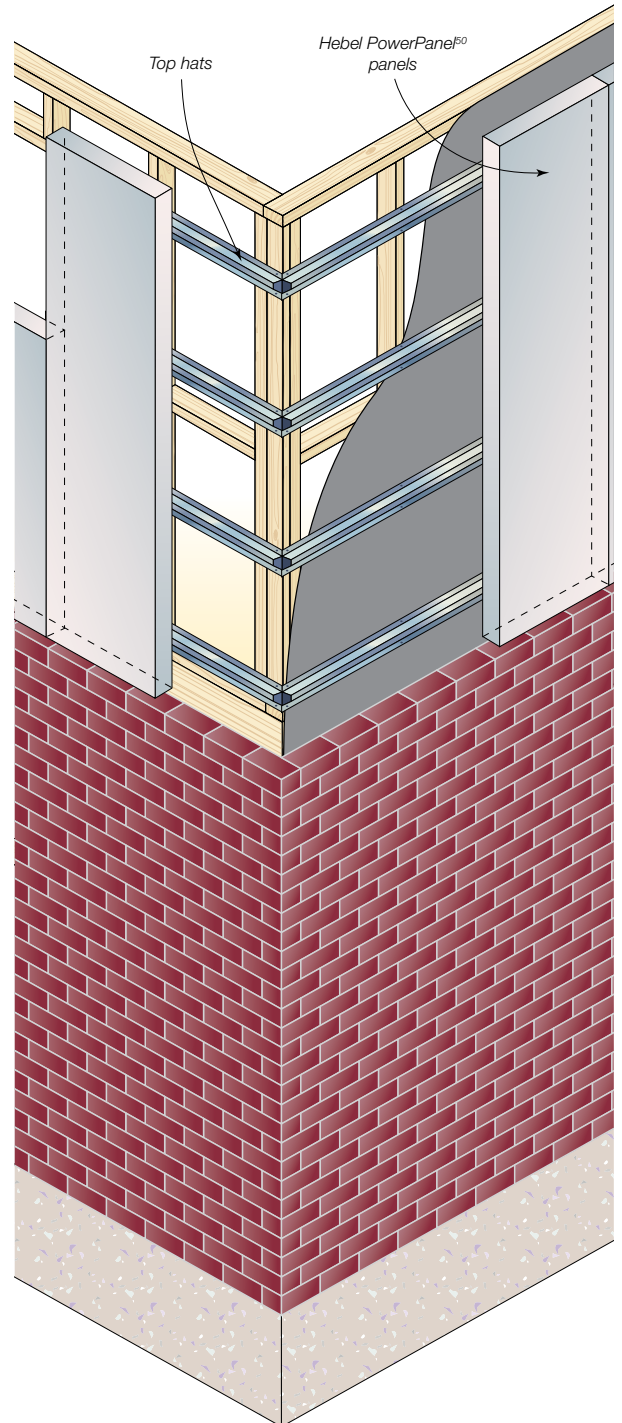


Figure 2.9.2.2 Two storey additions – typical section with brick veneer below

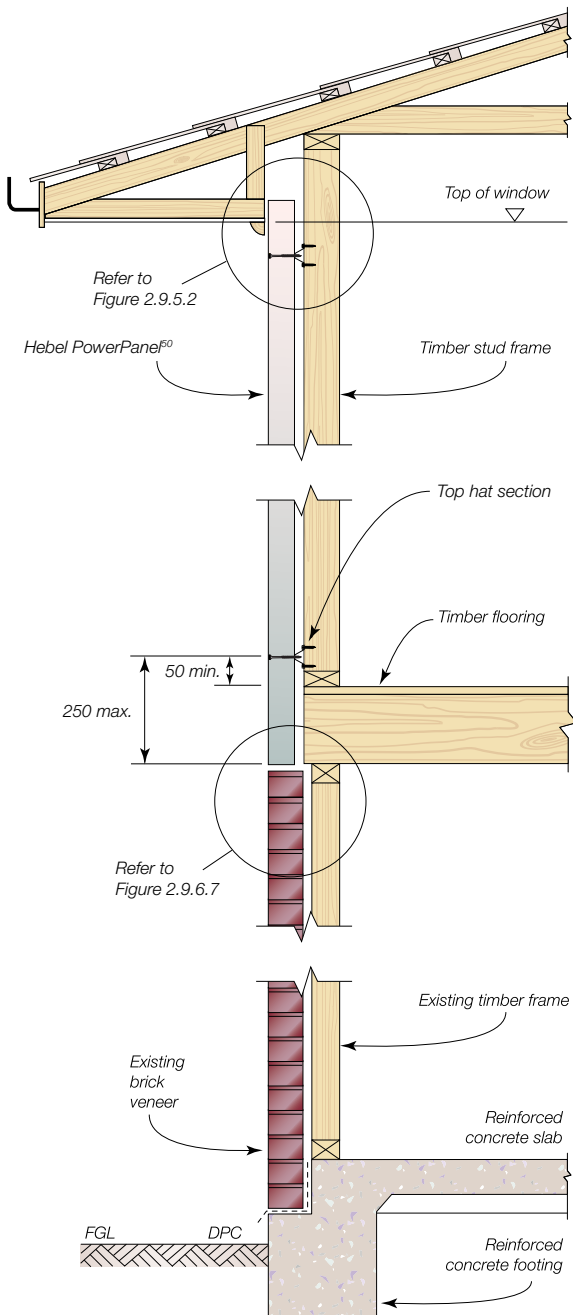
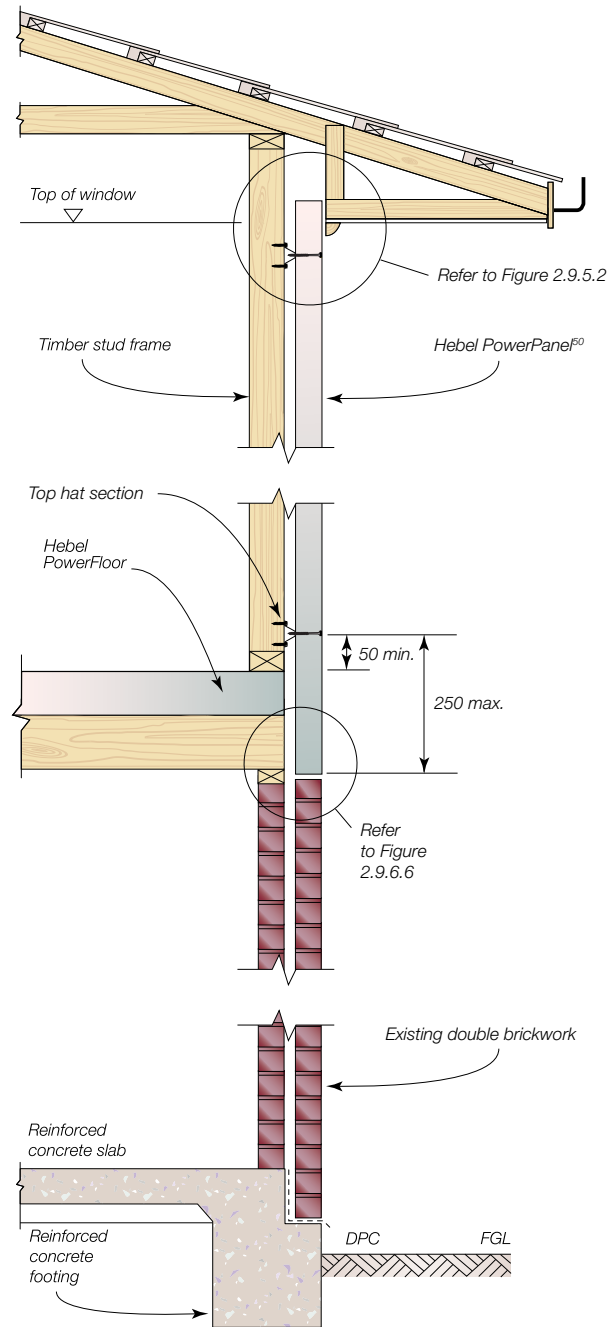


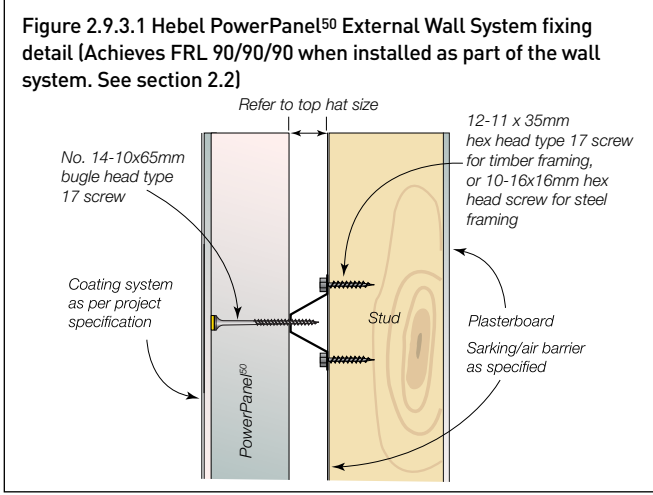
Figure 2.9.2.3 Two storey additions – typical section with double brick below



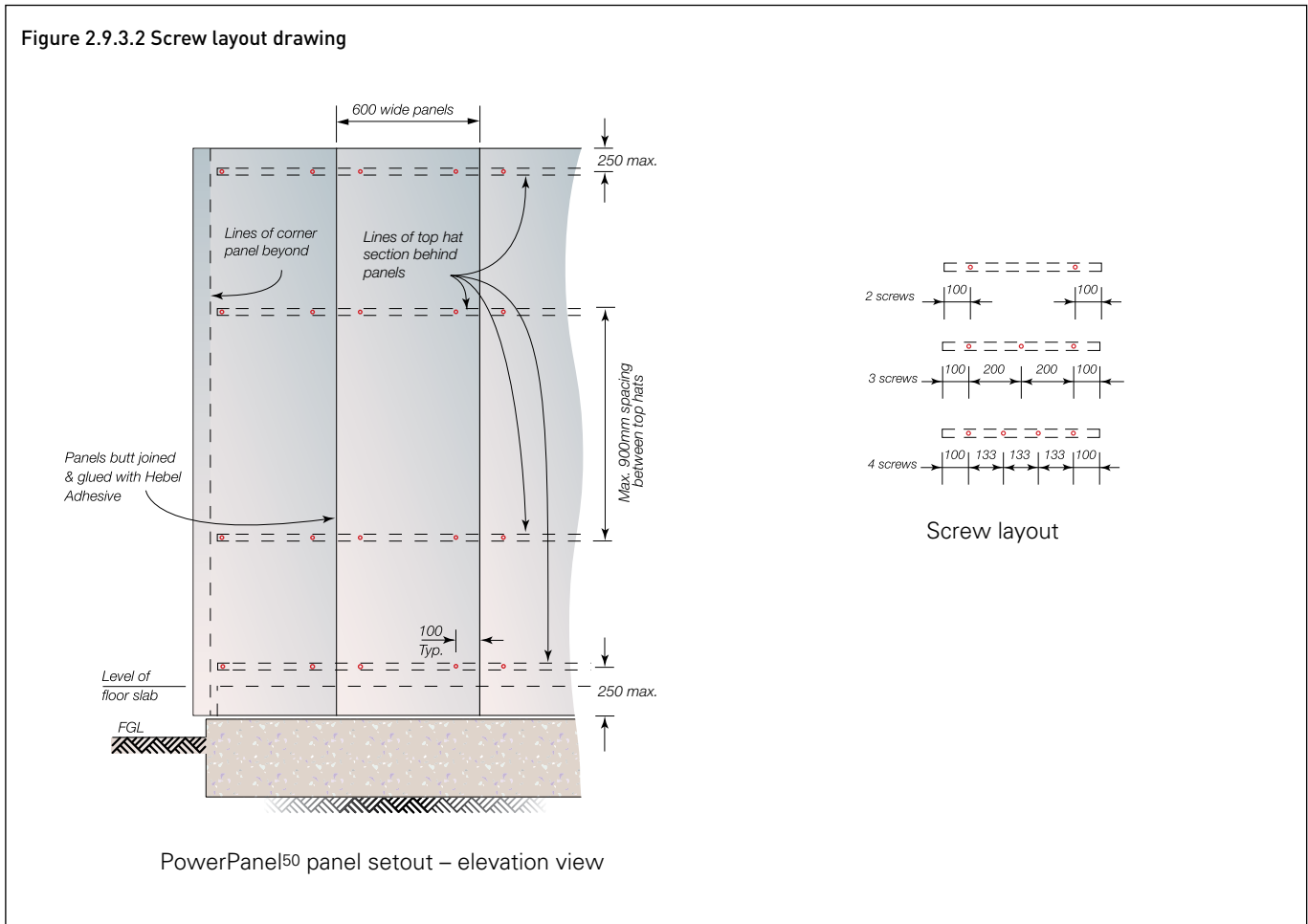
NOTES:

1. Minimum 4 top hats required for panels that are suspended off the frame. Refer to Table 2.2.3 of this guide.

2.9.3 FIXING & INSTALLATION DETAILS



NOTE:
When positioning the stud frames allow 5-7mm extra cavity width for the sheet bracing between top hat and timber stud.



2.9.4 FOOTING JUNCTION DETAILS

Figure 2.9.4.1 Junction to shallow concrete footing

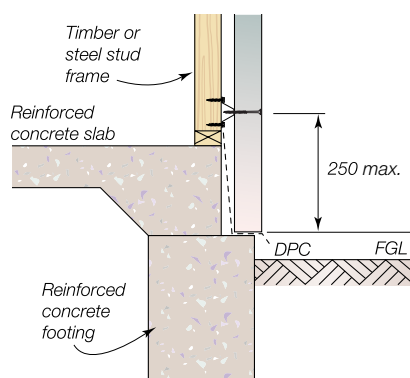


Figure 2.9.4.2 Junction to deep concrete edge beam

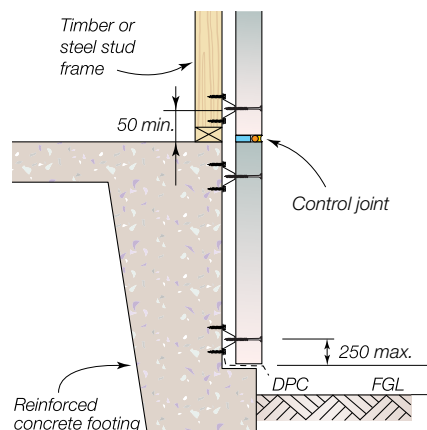


Figure 2.9.4.3 Junction to masonry earth retaining wall

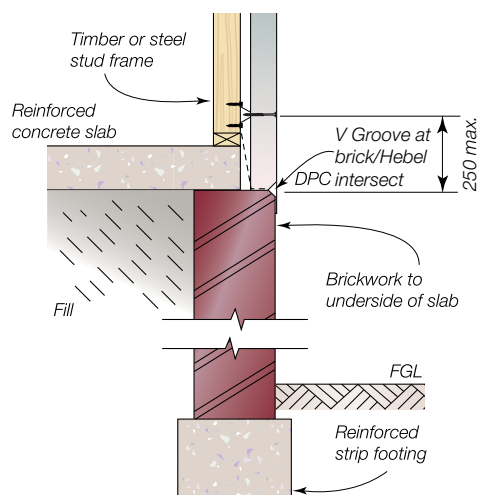
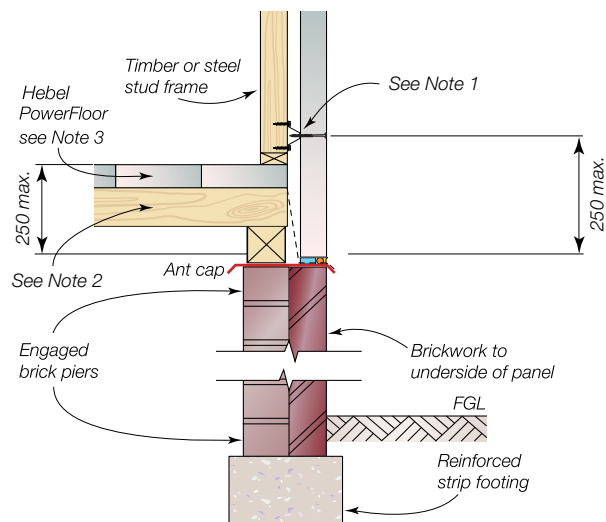


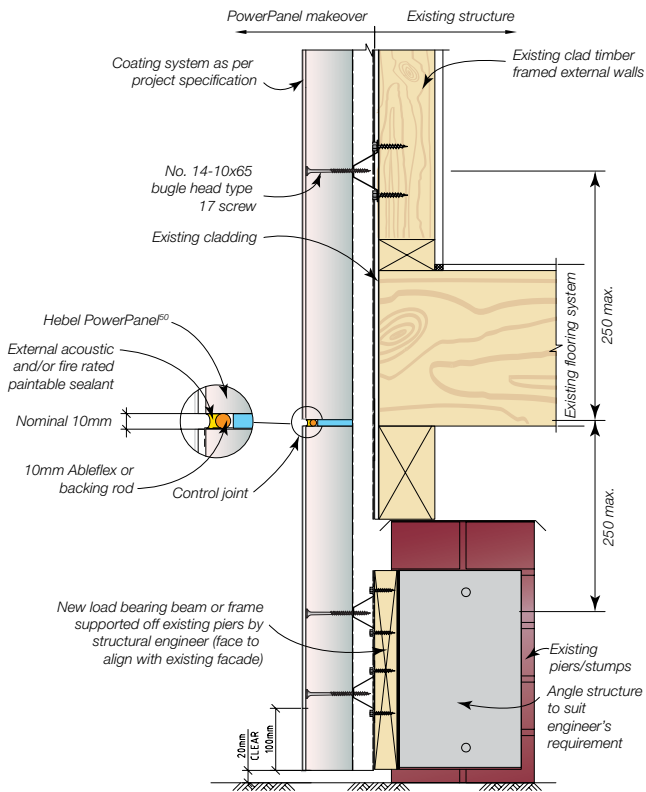
Figure 2.9.4.4 Junction to masonry dwarf wall



NOTES:

1. Do not fix top hat to floor joists.
2. If non-shrink floor joists are used, gap may be reduced or eliminated. Seek further technical advice from the framing manufacturer.
3. Refer to CSR Hebel for Hebel PowerFloor details.
4. Refer AS 3660 for termite protection.
5. When fixing top hats to concrete, contact the fixing manufacturer for details.

Figure 2.9.4.5 Junction to existing piers/stumps



NOTES:

1. Refer to Tables 2.2.3 and 2.2.4 for top hat requirement for suspended applications
2. This detail is not considered to achieve a fire rating level
3. This slab edge detail does not comply with the termite visible inspection zone requirements. Alternate termite management systems must be used when selection this detail. It is the responsibility of the builder to provide a suitable physical or chemical barrier in accordance with AS 3660.

Figure 2.9.4.6 Base detail suspended floor – pier connection

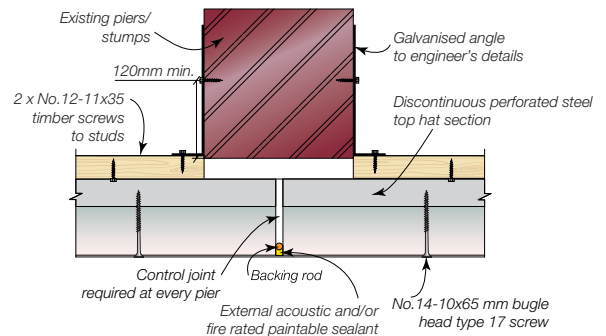
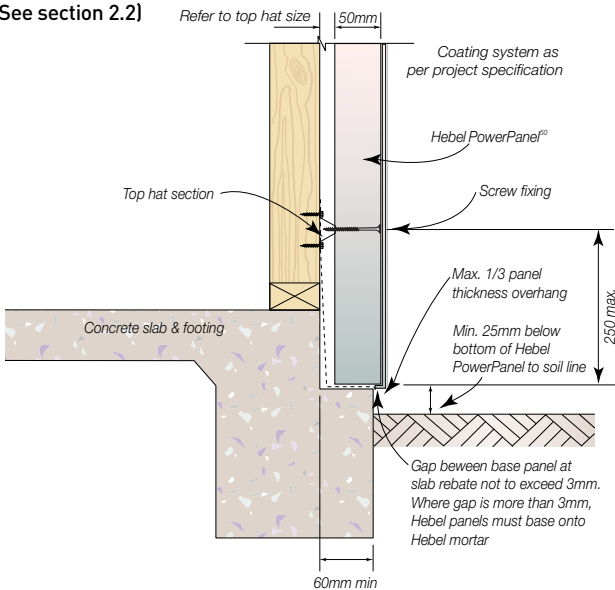


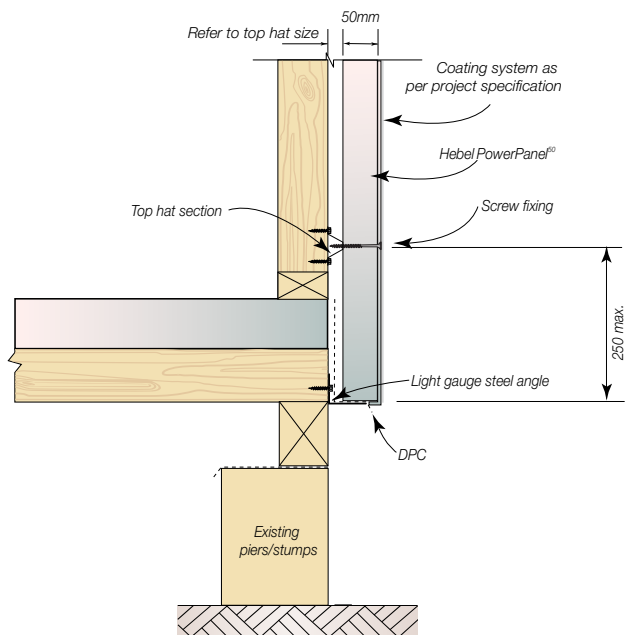
Figure 2.9.4.7 Junction to shallow concrete edge beam (Achieves FRL 90/90/90 when installed as part of the wall system. See section 2.2)



NOTES:

1. All garden beds and /or finished soil line must remain a minimum of 25mm below the bottom of the finished rendered wall.
2. This slab edge detail does not comply with the termite visible inspection zone requirements. Alternate termite management systems must be used when selection this detail. It is the responsibility of the builder to provide a suitable physical or chemical barrier in accordance with AS 3660.

Figure 2.9.4.8 Junction to steel angle



NOTES:

1. This detail is not considered to achieve a fire rating level.
2. The light gauge steel angle is for the purpose of closing the cavity at the base of the wall.

Figure 2.9.4.9 Junction to Hebel below finish ground

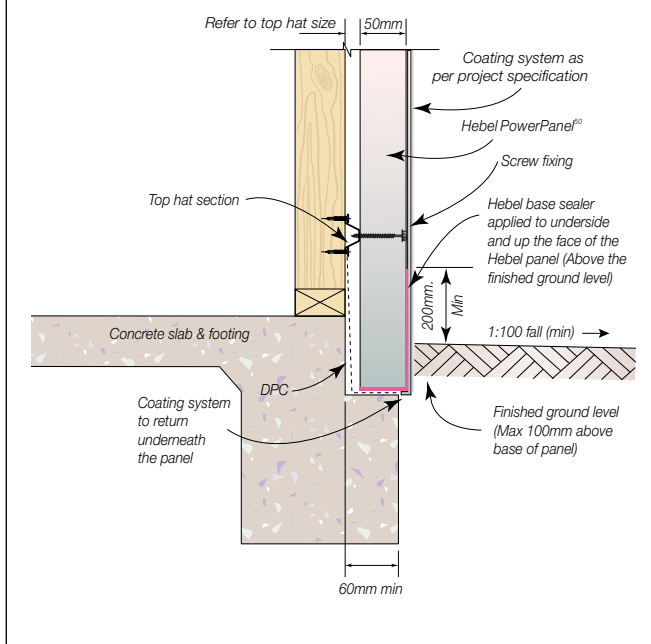
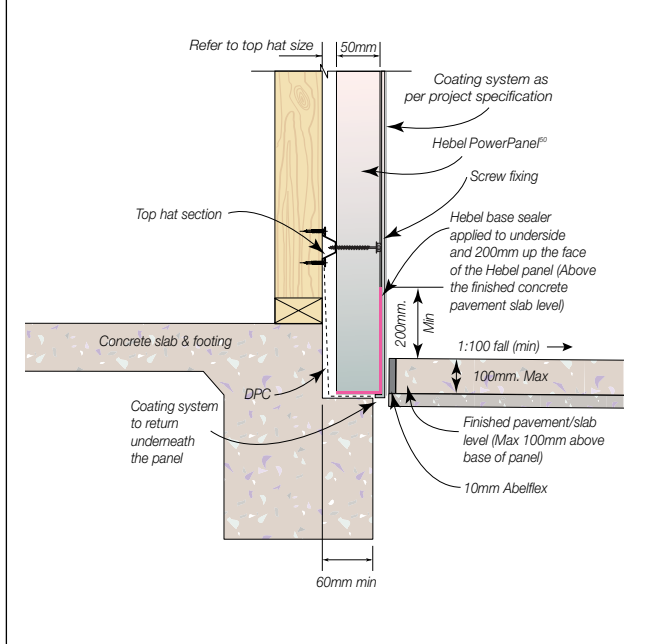


Figure 2.9.4.10 Junction to Hebel below concrete pavement slab



NOTES:

1. This slab edge detail does not comply with the termite visible inspection zone requirements. It is the responsibility of the builder to ensure chemical barrier in accordance with AS3660 is installed or other suitable termite protection system is adopted.
2. Hebel PowerPanel base must be coated with Hebel Base Sealer prior to installation.
3. Hebel Base Sealer to be applied min. 200mm above finished ground level.

2.9.5 WALL JUNCTION DETAILS & SECTIONS

Figure 2.9.5.1 Typical roof eaves detail - Option 1

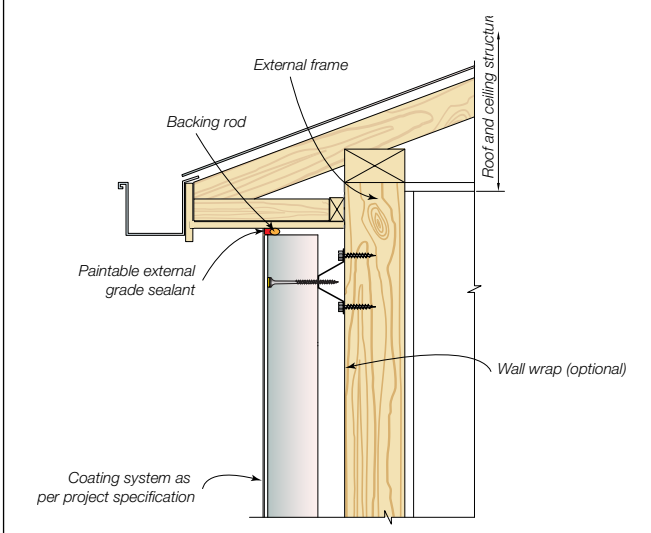


Figure 2.9.5.2 Typical roof eaves detail - Option 2

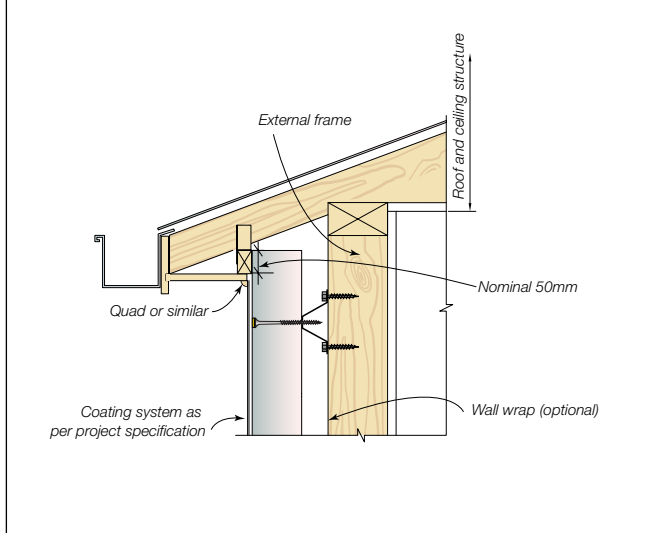


Figure 2.9.5.3 Gutter on top of Hebel wall

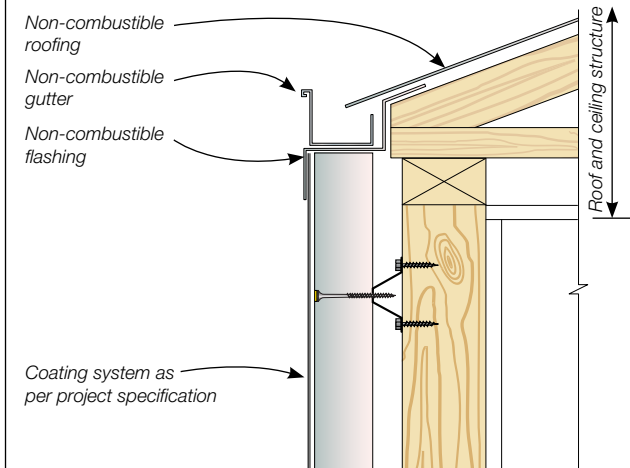


Figure 2.9.5.4 Gutter on face of Hebel wall

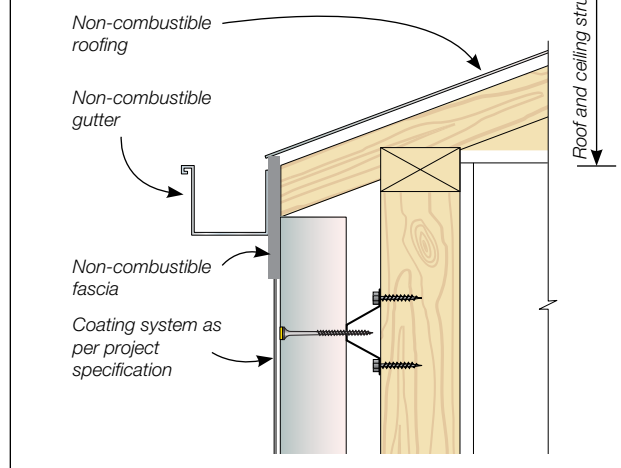


Figure 2.9.5.5 - Roof to wall junction detail

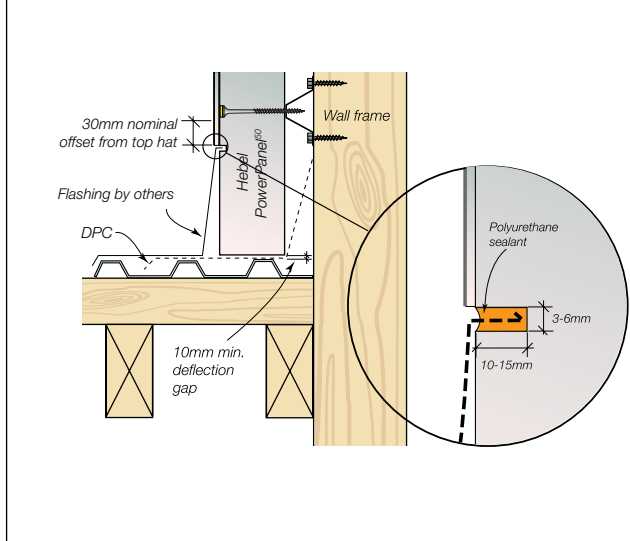


Figure 2.9.5.6 Balcony detail

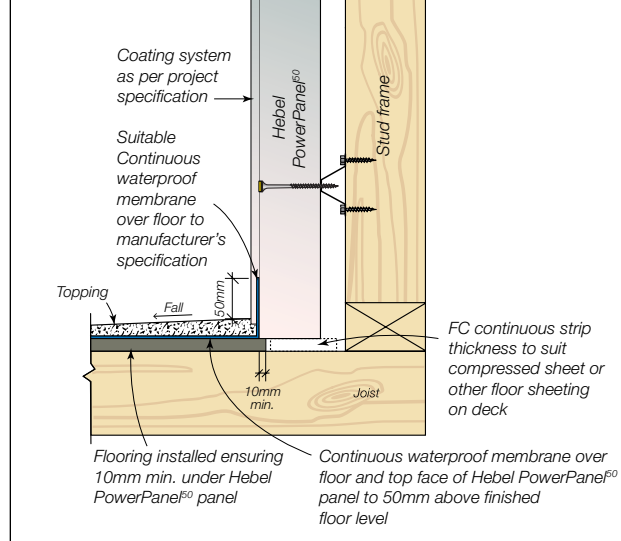


Figure 2.9.5.7 Parapet capping

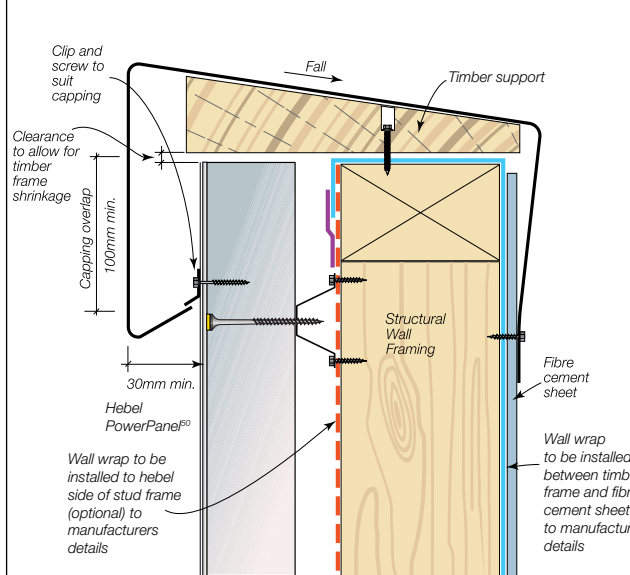
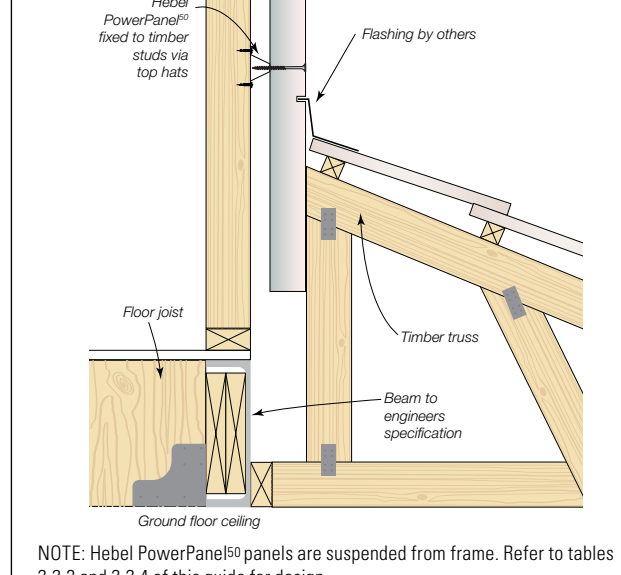


Figure 2.9.5.8 Hebel to pitched roof junction



NOTE: Hebel PowerPanel⁵⁰ panels are suspended from frame. Refer to tables 2.2.3 and 2.2.4 of this guide for design.

Figure 2.9.5.9 Gable end wall detail

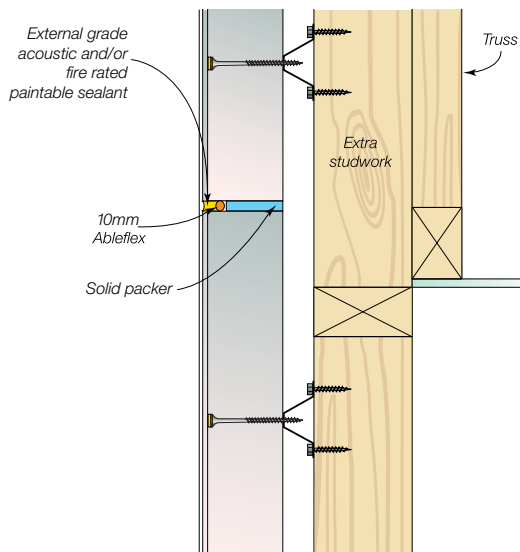


Figure 2.9.5.10 Gable end wall detail – lintel panel over window

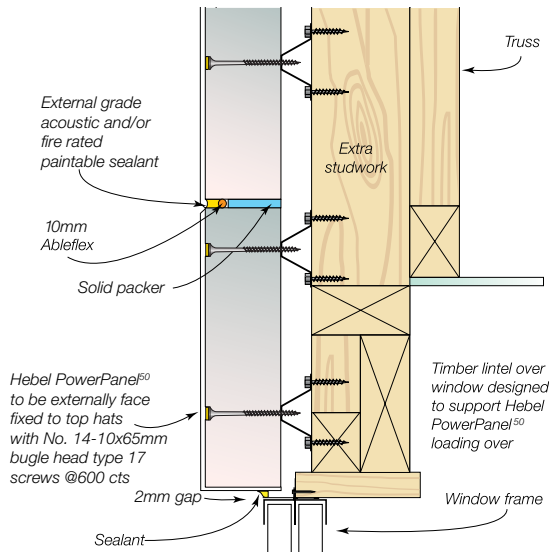
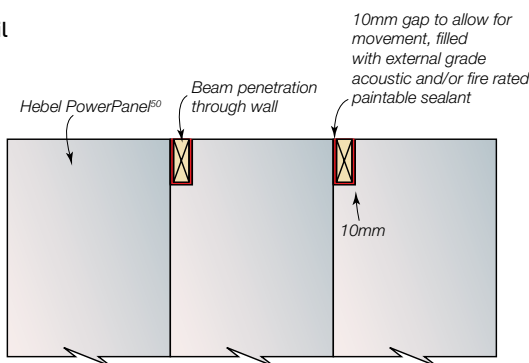
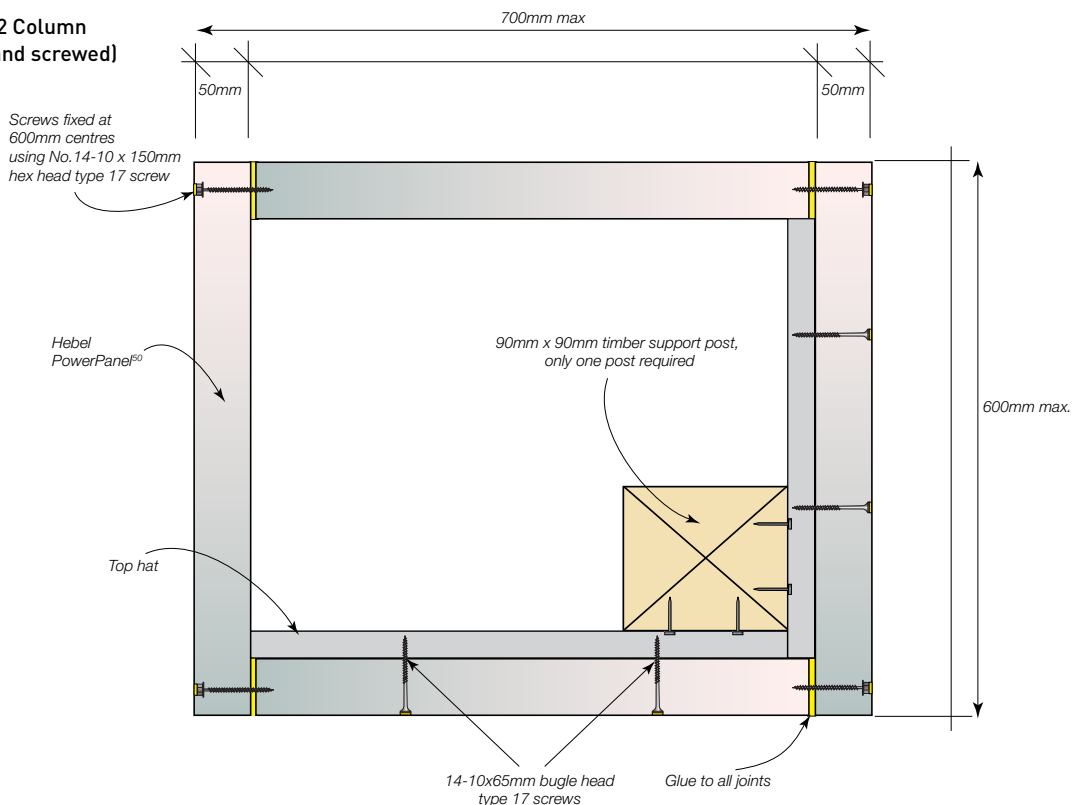


Figure 2.9.5.11 Beam penetration detail



NOTE:
Parapet capping shall be designed and fastened in accordance with SAA – HB39 2015 – Installation Code for Metal Roofing and Wall Cladding. Stop ends shall be incorporated to all flashings.

Figure 2.9.5.12 Column detail (glued and screwed)



2.9.6 CONTROL JOINTS

The following information provides the necessary rules for control jointing when installing the Hebel PowerPanel⁵⁰ External Wall System:

- Refer section 1.3 for vertical control joint spacing (based on site classification)
- Vertical control joints required at external and internal corners
- Vertical control joints required above and below all doors, including sliding and garage doors
- Vertical control joints required at the position where a wall changes height by more than 20% e.g a vertical control joint is required when wall height changes from 2700mm to ≥ 3240 mm.
- Horizontal control joints required at every horizontal floor junction
- Horizontal control joints required at a maximum height of 3.9m.

For openings < 2450mm in width

- Control joint not required. If the straight joint that extends above or below the window jamb is less than 600mm long, a control joint or a glued and meshed joint is required.

For openings ≥ 2450 mm and < 3600mm wide

- Control joint required to at least one side of the opening (i.e. above and below the opening). If the straight joint that extends above or below the window jamb is less than 600mm long a control joint or a glued and meshed joint is required to the opposite side of the opening.

For openings ≥ 3600 mm in width

- Control joint required to both sides of the opening (i.e. above and below the opening).

NOTES:

1. The minimum lintel panel height above windows is 270mm.
2. Footing and slab design to comply with AS 2870.
3. Vertical control joints are not required to align between storeys of the building and can be terminated at the horizontal control joint located within the upper storey floor framing structure zone/depth.
4. The PowerPanel⁵⁰ panels can be installed directly beside window or door openings (retaining a minimum 2-3mm gap between window jamb and panel) such that the control joint is only installed above and below the opening to the required width, negating the need to provide the width of the control joint directly beside the window or door. The 2-3mm gap is also required at the head of the window or door to the head panel.

Figure 2.9.6.1 Internal corner (Achieves FRL 90/90/90 when installed as part of the wall system. See section 1.5)

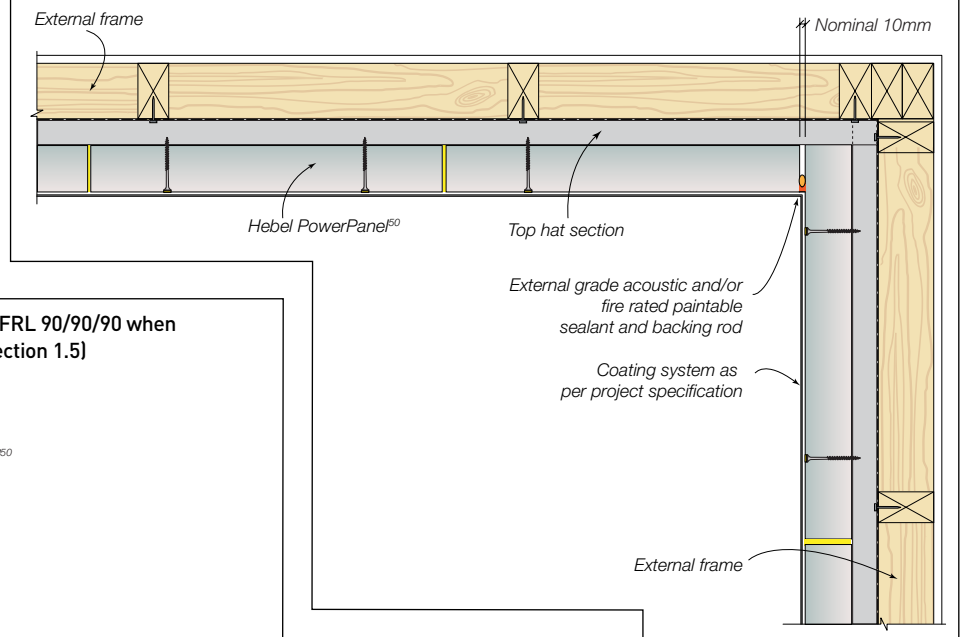


Figure 2.9.6.2 External corner (Achieves FRL 90/90/90 when installed as part of the wall system. See section 1.5)

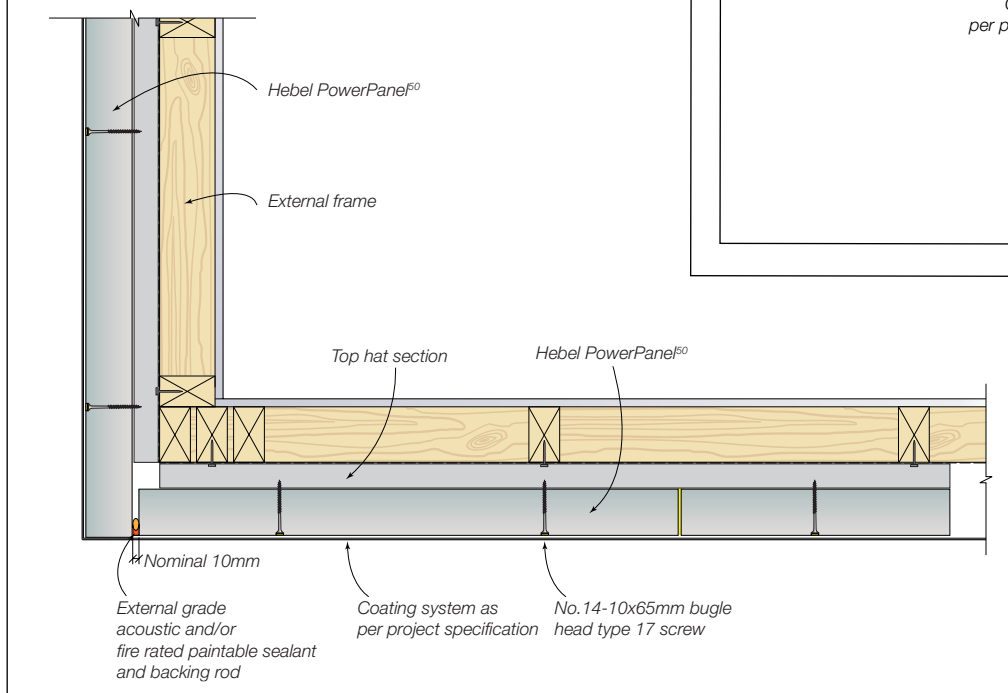


Figure 2.9.6.3 Typical detail for control joints positioned on corner

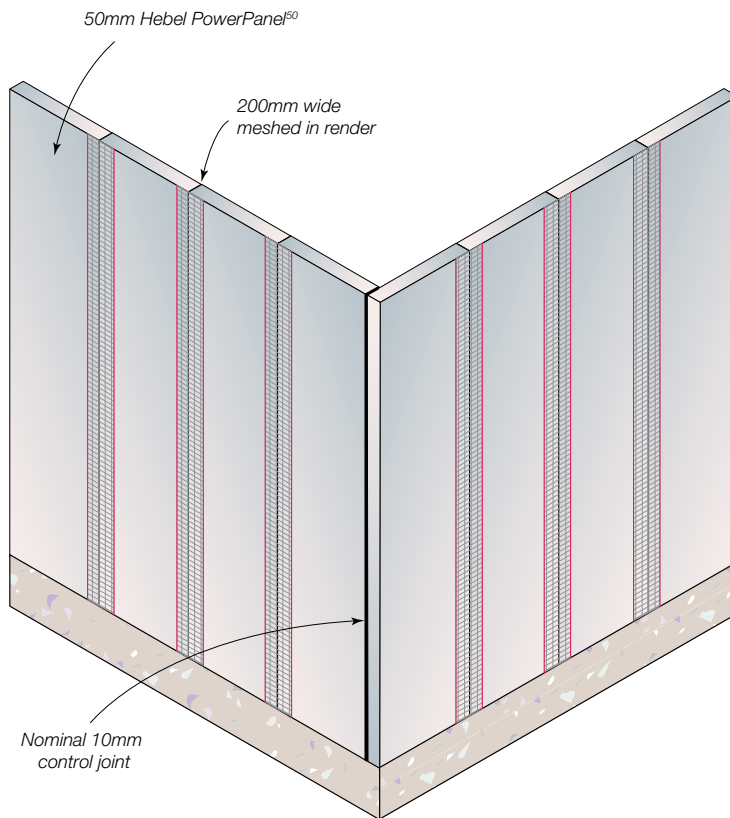


Figure 2.9.6.4 Typical detail for control joints positioned away from a corner

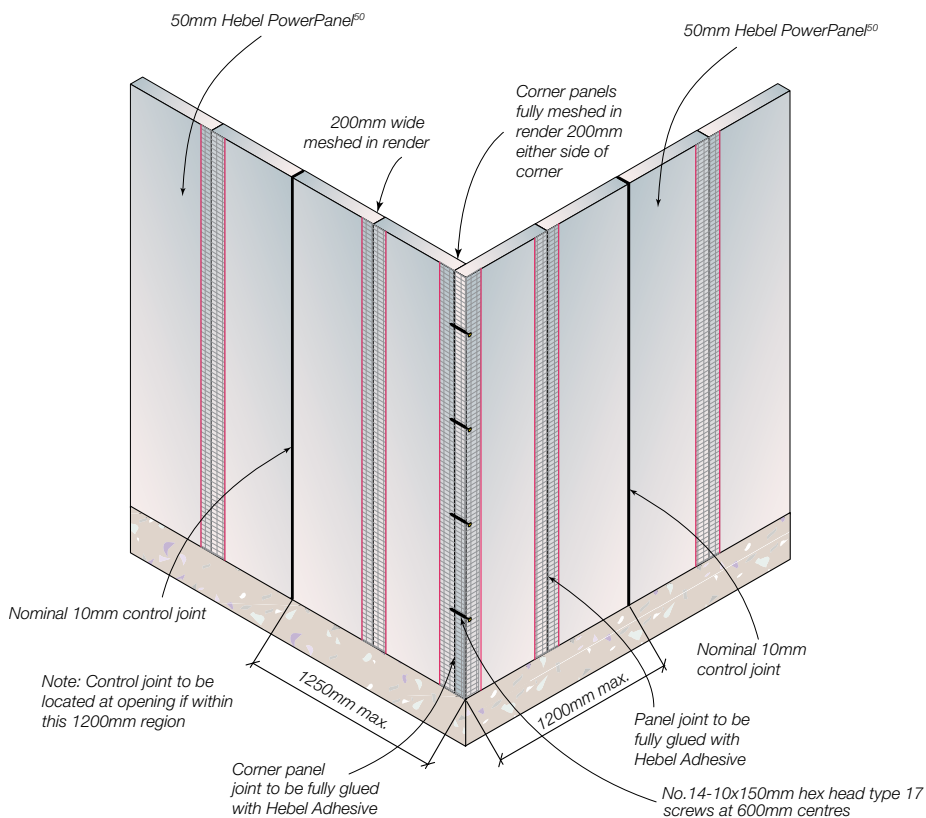


Figure 2.9.6.5 Typical horizontal control joint – engineered timber or steel frame (Achieves FRL 90/90/90 when installed as part of the wall system. See section 1.5)

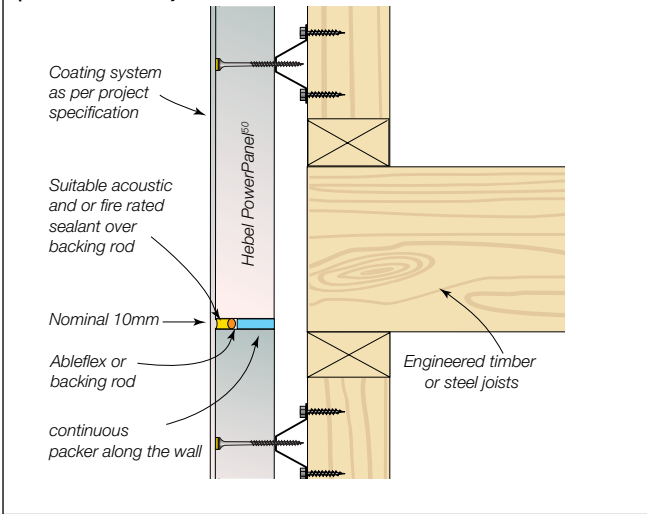


Figure 2.9.6.6 Horizontal control joint – Cavity brickwork to Hebel PowerPanel⁵⁰

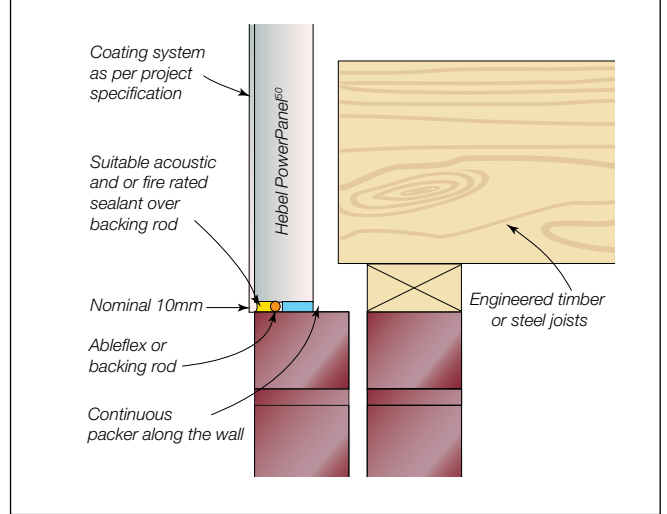


Figure 2.9.6.7 Horizontal control joint – Brick veneer to Hebel PowerPanel⁵⁰ - Option 1

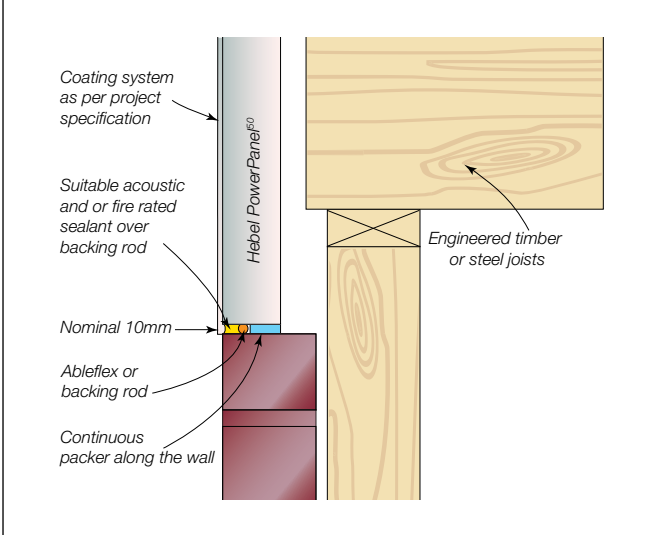


Figure 2.9.6.8 Horizontal control joint – Brick veneer to Hebel PowerPanel⁵⁰ - Option 2

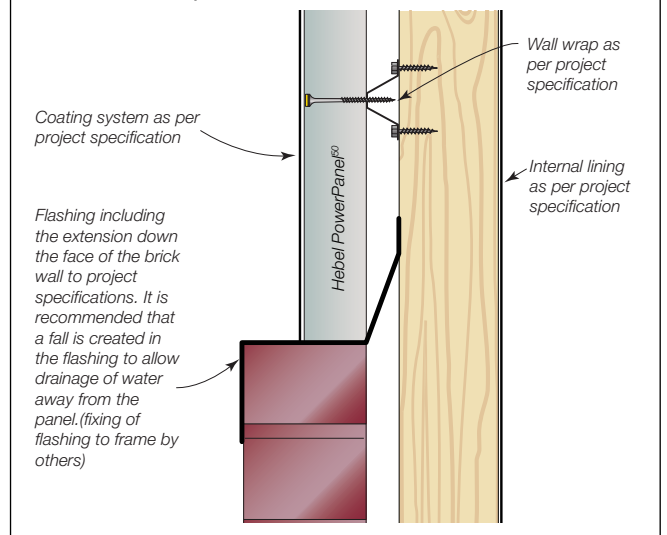


Figure 2.9.6.9 Typical vertical control joint
 [Achieves FRL 90/90/90 when installed as part of the wall system. See section 1.5]

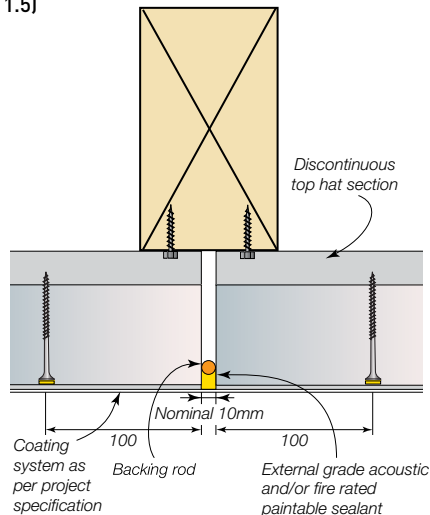


Figure 2.9.6.10 Typical vertical control joint with double studs
 [Achieves FRL 90/90/90 when installed as part of the wall system. See section 1.5]

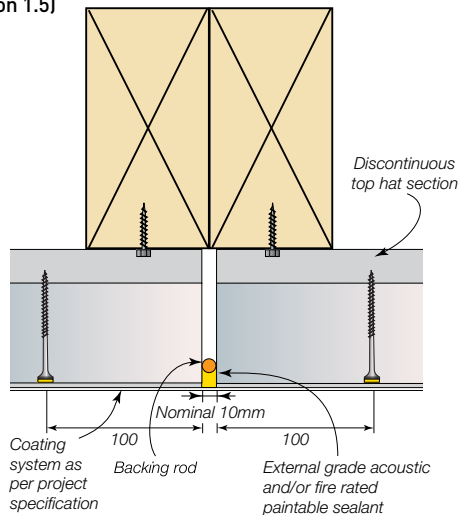


Figure 2.9.6.11 Control joint – discontinuous top hats on a single stud

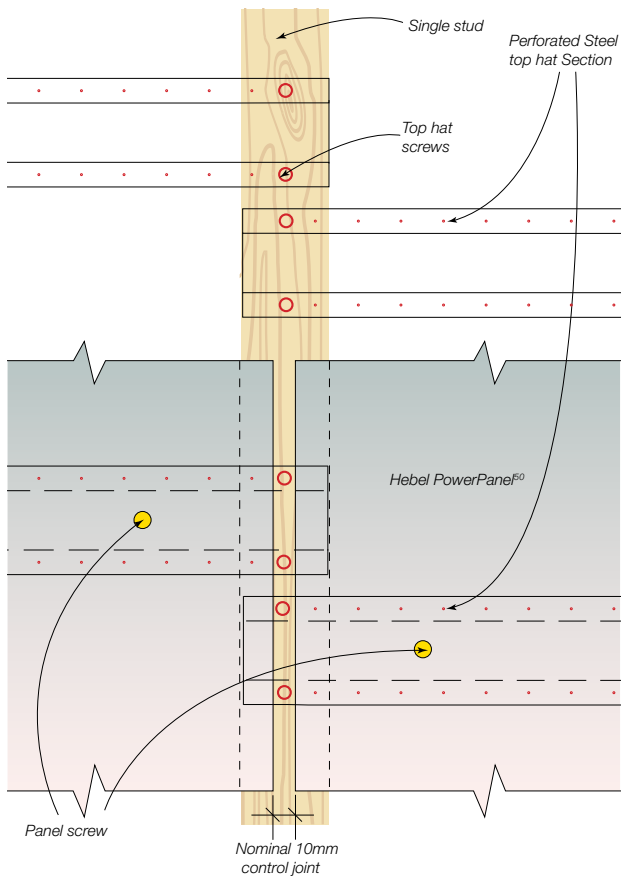
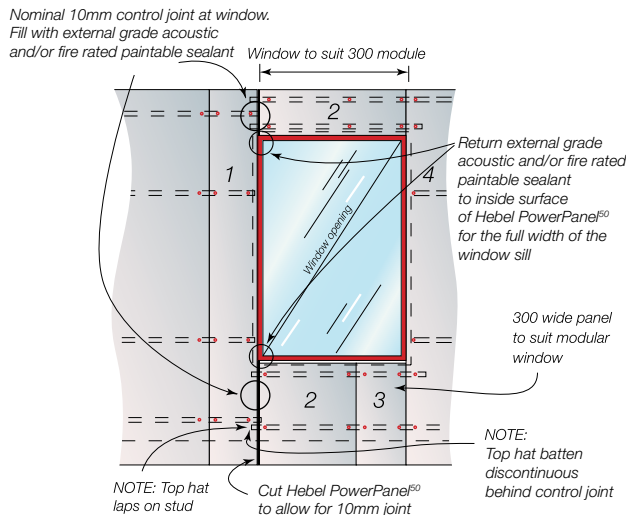


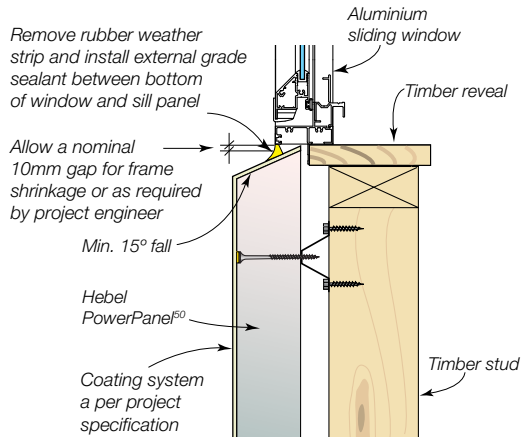
Figure 2.9.6.12 Typical window control joint detail – lintel over



NOTE:
 The installation sequence of the PowerPanel⁵⁰ panels around the openings should be followed as numbered if there is no control joint at the opening, to maintain glue thickness on the edge of the panel.

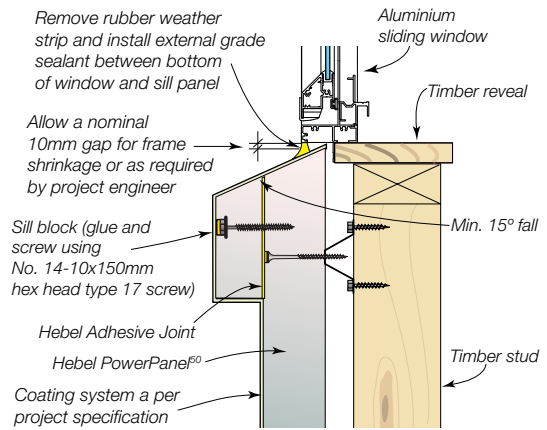
2.9.7 DOOR & WINDOW DETAIL

Figure 2.9.7.1 Typical window sill detail – aluminium window frame – Option 1



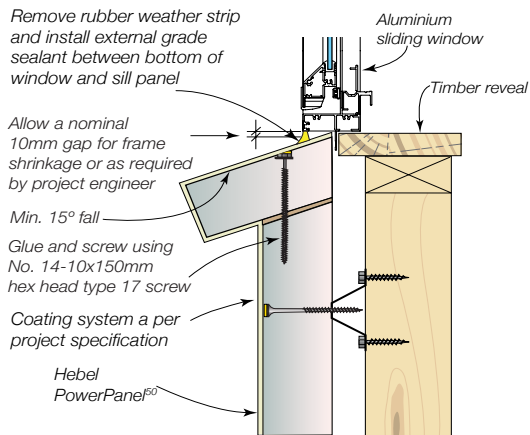
NOTE: Include suitable backing rod and sealant for 5-10mm gaps.

Figure 2.9.7.2 Typical window sill detail – aluminium window frame – Option 2



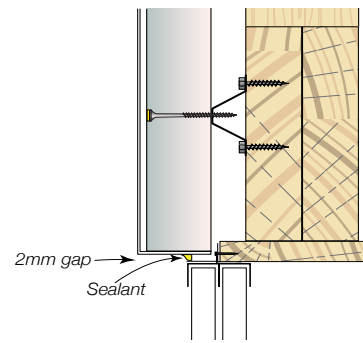
NOTE: Include suitable backing rod and sealant for 5-10mm gaps.

Figure 2.9.7.3 Typical window sill detail – aluminium window frame – Option 3



NOTE: Include suitable backing rod and sealant for 5-10mm gaps.

Figure 2.9.7.4 Header detail



NOTE: Drainage of window and door sills, in either aluminium or timber, should be directed to the outside of the building, on top of the window sill.

Figure 2.9.7.5 Garage head detail

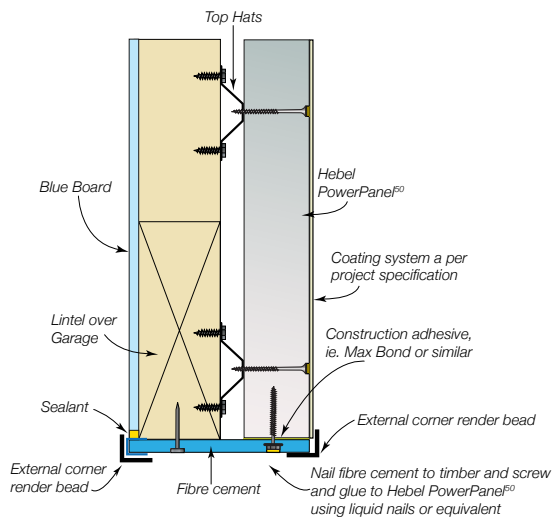


Figure 2.9.7.6 Garage door – jamb detail – Option 1

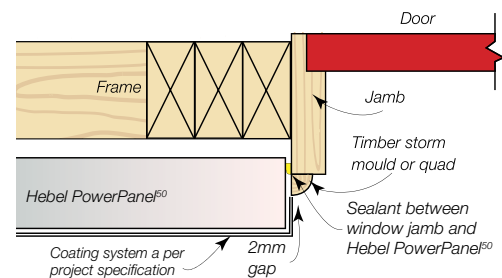


Figure 2.9.7.7 Garage door – jamb detail – Option 2

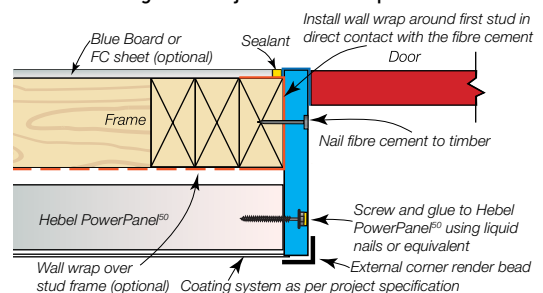


Figure 2.9.7.8 Sliding door sill detail – Concrete sill < 270mm

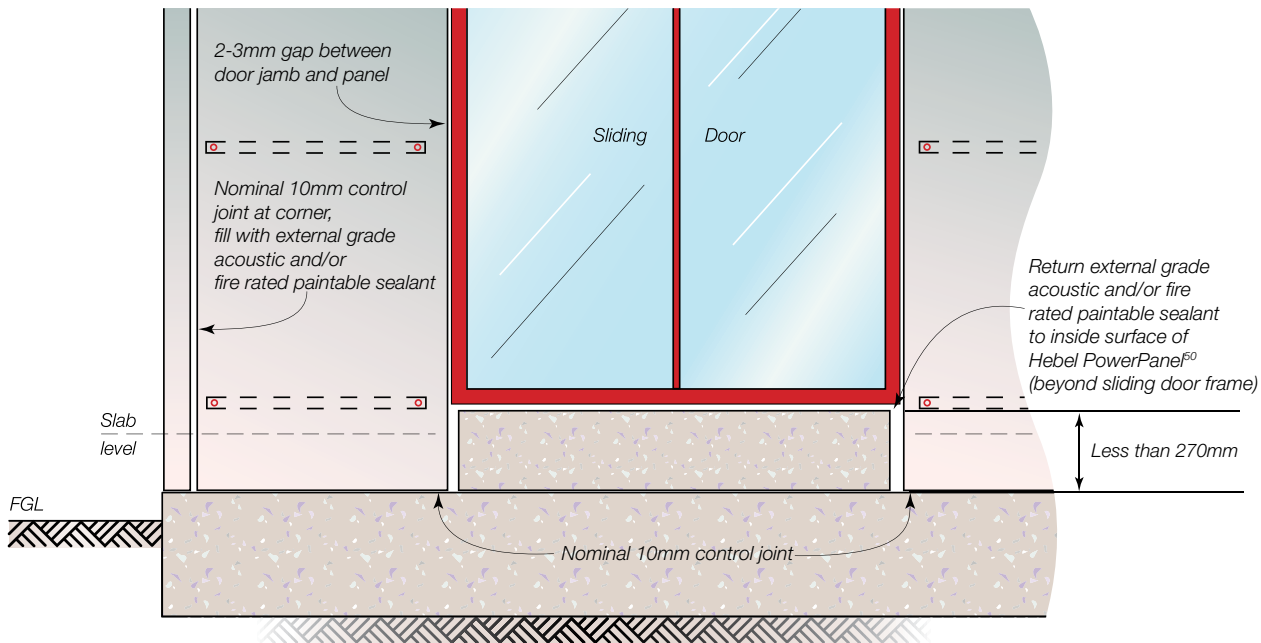
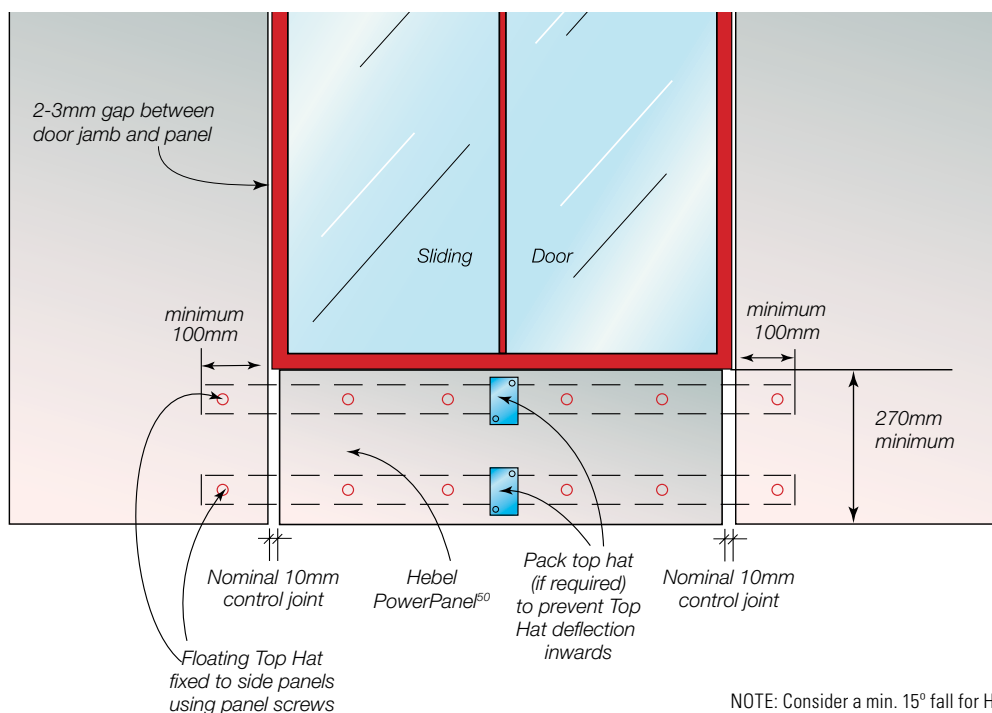


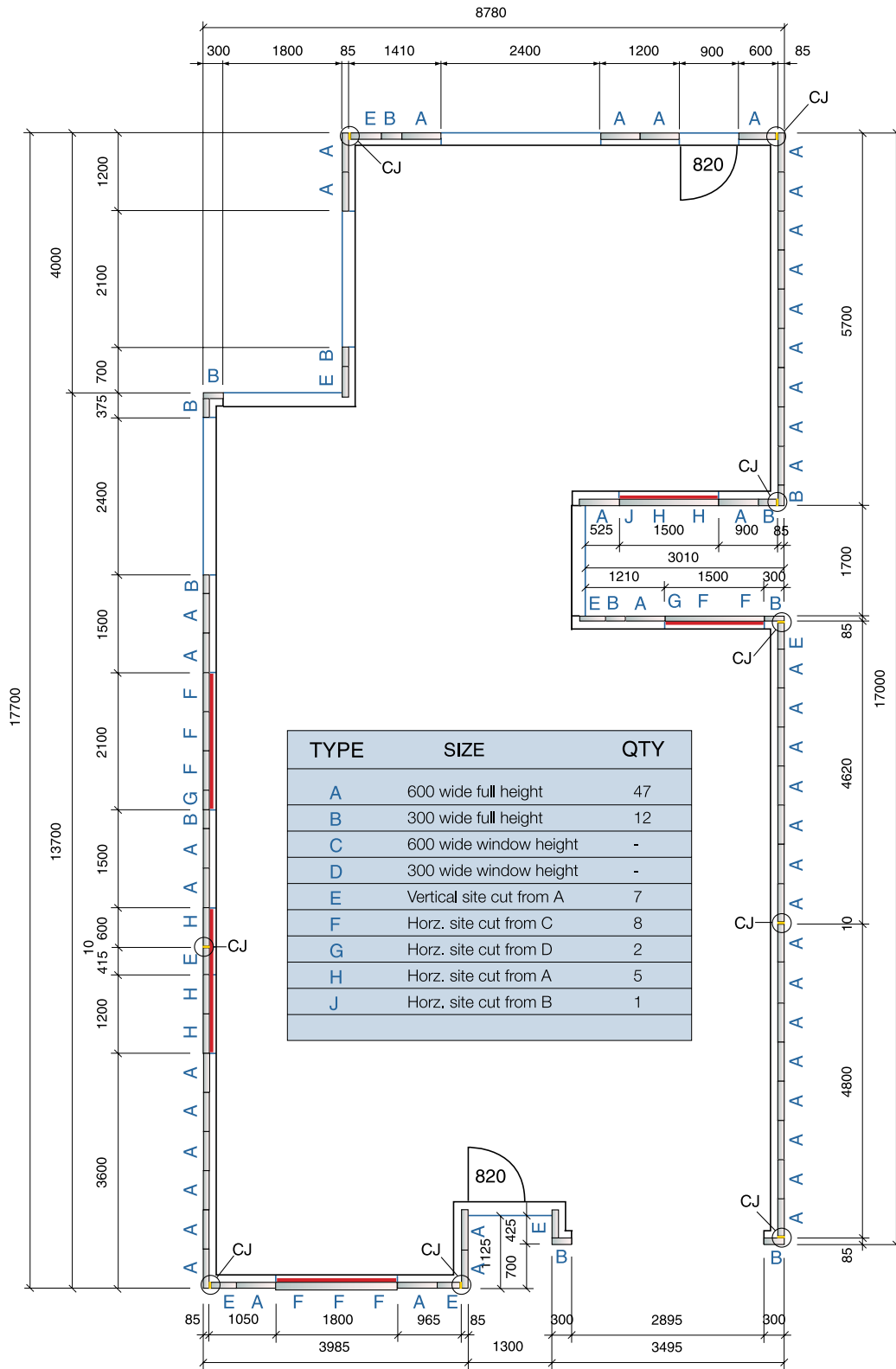
Figure 2.9.7.9 Sliding door sill detail – PowerPanel⁵⁰ sill > 270mm



NOTE: Consider a min. 15° fall for Hebel door sill.

2.9.8 MISCELLANEOUS DETAIL

Figure 2.9.8.1 Panel layout drawing – Plan view



NOTES:





1. At corners, PowerPanel⁵⁰ panels can be laid out at 300mm multiples in one direction and 300mm multiples + 85mm in the other direction
2. Width of PowerPanel⁵⁰ panels may vary + or - 1.5mm

HEBEL HOUSES AND LOW RISE MULTI RESIDENTIAL POWERPANEL⁵⁰ EXTERNAL WALLS HORIZONTAL INSTALLATION

Design & Installation Guide

3.1 SYSTEM COMPONENTS

The PowerPanel⁵⁰ External Wall System is a complete system and Hebel stocks many of the products and materials required for your convenience.

Product	Description	Supplied by CSR Hebel																
Hebel PowerPanel ⁵⁰	<p>The core component of the Hebel PowerPanel⁵⁰ horizontally installed External Wall System is the 50mm thick Hebel PowerPanel⁵⁰ panel. The panel is manufactured in a range of stock sizes as detailed below:</p> <table border="1"> <thead> <tr> <th colspan="3">Panel weight (kg)</th> </tr> <tr> <th>Length (mm)</th> <th>Width (mm)</th> <th>Weight (kg) at 35% M.C.</th> </tr> </thead> <tbody> <tr> <td>2000</td> <td>600</td> <td>50</td> </tr> <tr> <td>2200</td> <td>600</td> <td>53</td> </tr> <tr> <td>2400</td> <td>600</td> <td>56</td> </tr> </tbody> </table> <p>NOTE: Average panel weight calculated at 35% moisture content.</p>	Panel weight (kg)			Length (mm)	Width (mm)	Weight (kg) at 35% M.C.	2000	600	50	2200	600	53	2400	600	56	✓	
Panel weight (kg)																		
Length (mm)	Width (mm)	Weight (kg) at 35% M.C.																
2000	600	50																
2200	600	53																
2400	600	56																
Cavity Batten	20mm and 40mm timber or steel cavity battens are used to fix the Hebel PowerPanel ⁵⁰ panel to the structural support framing. Refer to table 3.2.1 for further cavity batten component details.																	
Fastener & Fixings (For more fastener & fixing types refer to table 3.2.3)	Temporarily fixing of steel battens to timber frame; 12-11x35mm hex head type 17 screw. Refer to table 3.2.3 for further screw type options.	✓																
	Temporarily fixing of steel battens to steel frame; 10-16x16mm hex head self drilling screw. Refer to table 3.2.3 for further screw type options.	✓																
	Fixing of Hebel PowerPanel ⁵⁰ panels through 20mm battens into the timber frame or to steel frame with 20mm or 40mm battens; 14-10x100mm MP Bugle head screw. Refer to table 3.2.3 for further screw type options.	✓																

Product	Description	Supplied by CSR Hebel	
Hebel Mortar	Hebel Mortar (supplied in 20kg bags) when required is used as a thick bed mortar base to provide a level base for PowerPanel ⁵⁰ installation as well as providing acoustic and fire protection at the base of the panels.	✓	
Hebel Adhesive	Hebel Adhesive (supplied in 20kg bags) is used for gluing the PowerPanel ⁵⁰ panels together at vertical and horizontal joints.	✓	
Hebel Patch	Minor chips or damage to PowerPanel ⁵⁰ panels are to be repaired using Hebel Patch (supplied in 10kg bags).	✓	
Hebel Anti-Corrosion Protection Paint	To coat exposed reinforcement during cutting.	✓	

NOTE: CSR has engineered and tested the PowerPanel⁵⁰ External Wall System to comply with the NCC and relevant Australian Standards. It cannot guarantee products and accessories not specified by CSR will perform to these standards. The Product Guarantee will only apply if all components used in the system are specified by CSR.

3.2 DESIGN TABLES

Table 3.2.1 PowerPanel⁵⁰ horizontal installation Batten components

Batten Type	Batten Details
20mm timber cavity batten	H3 treated timber. 35mm x 20mm x (250mm or continuous) or 35mm x 40mm x (250mm or continuous)
40mm timber cavity batten	
20mm steel cavity batten	0.42mm thick galvanized steel. 35mm x 20mm x (250mm or continuous) or 35mm x 40mm x (250mm or continuous)
40mm steel cavity batten	
16mm RONDO 301	0.42mm thick galvanized steel. Fy = 550Mpa. Coating class AZ150
24mm RONDO 303	
35mm RONDO 310	
20mm Expanded Polystyrene (EPS) Batten	Very High Density (Class VH) - 28kg/m ³ density. 35mm x 20mm x (250mm or continuous) or 35mm x 40mm x (250mm or continuous)
40mm Expanded Polystyrene (EPS) Batten	

NOTES:

- Batten components can be used to back block between panels. Refer to Figure 3.5.4.3.
- Expanded Polystyrene (EPS) and timber battens are not to be used where a Fire Resistance Level (FRL) is required.

Table 3.2.2 Stud and screw spacing requirements

Wind Category	Ultimate wind pressure (kPa)		Stud spacing (mm)		Number of screws per 600mm panel per stud	
	Away from corners	Within 1200mm of corners	Away from corners	Within 1200mm of corners	Away from corners	Within 1200mm of corners
N2, N3, C1	1.05 / -0.98	-1.95	600	600	2	2
N4, C2	1.56 / -1.45	-2.9	600	600	2	3
N5, C3	2.3 / -2.14	-4.27	450	450	3	3

NOTES:

- Negative wind pressure indicates wind suction.
- The building designer must allow for internal pressure resulting from dominant openings when the building is designed to AS1170.2 for regions C and D.

FIXINGS

Table 3.2.3 outlines the connection type and requirements for constructing Hebel PowerPanel⁵⁰ detailed in this design guide.

- Minimum screw coating class in accordance with AS 3566: Class 3 (Refer Section 1.4 for Durability).

The project engineer or framing manufacturer is responsible for specification of alternative details. The minimum performance requirement of the screw is:

Table 3.2.3 Screw types

Type of screw	Application	Socket type
2.87mm x 50mm Galvanised nails	Fix 20mm timber battens to timber frame	
3.05mm x 75mm Galvanised framing nails	Fix 40mm timber battens to timber frame	
12x40mm galvanised drill point countersunk screws	Fix 20mm timber battens to steel frame	
12x60mm galvanised drill point countersunk screws	Fix 40mm timber battens to steel frame	
12-11x35mm hex head type 17 screw	Temporarily fix steel battens to timber frame	5/16" hex mag. Socket
10-16x16mm hex head self drilling screw	Temporarily fix steel battens to steel frame	5/16" hex mag. Socket
14-10x100mm MP Bugle head type 17 screw	Fix PowerPanel ⁵⁰ panels through 20mm battens into the timber frame or to steel frame with 20mm battens	
14-10x150mm hex head type 17 screw	Fix PowerPanel ⁵⁰ panels through 40mm battens into timber frame	5mm hex drive

NOTES:

- The screws fixing the PowerPanel⁵⁰ panels through the battens into the stud frame are countersunk min. 5mm into the panel and filled with Hebel Adhesive.
- Minimum screw embedment depth of 25mm required for screws fixing panels into timber frame.
- Liquid nails or Maxbond adhesive can be used to temporarily fix EPS battens to frame or building wrap.

3.3 THERMAL PERFORMANCE

Table 3.3.1 Thermal performance of horizontally installed Hebel PowerPanel⁵⁰ external wall system - timber stud frame

Hebel code	Description - Horizontal installation (Timber Stud)						Total R-value m ² .K/W	
	Platerboard	Stud frame	Batts	Wall wrap	Top hat cavity	Hebel Panel	Summer	Winter
Hebel2035	10mm Gyprock Plasterboard Plus	70mm stud frame	None	Polyair Performa 4.0 XHD	20mm	PowerPanel ⁵⁰	1.92	1.96
Hebel2036			None	Thermoseal Wall Wrap Prime			1.31	1.37
Hebel2037			75mm Bradford Gold Wall Batts R1.5	Thermoseal Wall Wrap Prime			1.96	2.10
Hebel2038			70mm Bradford Soundscreen Batts R2.0	Thermoseal Wall Wrap XPx			2.78	2.91
Hebel2039			70mm Bradford Soundscreen Batts R2.0	Enviroseal Proctorwrap RW			2.43	2.56
Hebel2040			None	Polyair Performa 4.0 XHD			1.92	1.96
Hebel2041			None	Thermoseal Wall Wrap Prime			1.31	1.37
Hebel2042			75mm Bradford Gold Wall Batts R1.5	Thermoseal Wall Wrap Prime			1.96	2.10
Hebel2043			70mm Bradford Soundscreen Batts R2.0	Thermoseal Wall Wrap XP			2.77	2.93
Hebel2044			70mm Bradford Soundscreen Batts R2.0	Enviroseal Proctorwrap RW			2.41	2.58
Hebel2045		90mm stud frame	None	Polyair Performa 4.0 XHD	20mm		1.92	1.96
Hebel2046			None	Thermoseal Wall Wrap Prime			1.33	1.39
Hebel2047			90mm Bradford Gold Wall Batts R2.0	Thermoseal Wall Wrap Prime			2.42	2.49
Hebel2048			90mm Bradford Gold Wall Batts R2.0	Thermoseal Wall Wrap XP			2.77	2.93
Hebel2049			90mm Bradford Gold Wall Batts R2.5	Enviroseal Proctorwrap RW			2.78	2.93
Hebel2050			90mm Bradford Gold Wall Batts R2.7	Enviroseal Proctorwrap RW			2.91	3.06
Hebel2051			None	Polyair Performa 4.0 XHD			1.92	1.96
Hebel2052			None	Thermoseal Wall Wrap Prime			1.33	1.39
Hebel2053			90mm Bradford Gold Wall Batts R2.0	Thermoseal Wall Wrap Prime			2.42	2.49
Hebel2054			90mm Bradford Gold Wall Batts R2.0	Thermoseal Wall Wrap XP			2.77	2.93
Hebel2055	90mm Bradford Gold Wall Batts R2.5	Enviroseal Proctorwrap RW	2.78	2.93				
Hebel2056	90mm Bradford Gold Wall Batts R2.7	Enviroseal Proctorwrap RW	2.91	3.06				

Table 3.3.2 Thermal performance of horizontally installed Hebel PowerPanel⁵⁰ external wall system - steel stud frame

Hebel code	Description - Horizontal installation (Steel Stud)						Total R-value m ² .K/W	
	Platerboard	Stud frame	Batts	Wall wrap	Top hat cavity	Hebel Panel	Summer	Winter
Hebel2057	10mm Gyprock Plasterboard Plus	64mm stud frame	None	Polyair Performa 4.0 XHD	20mm	PowerPanel ⁵⁰	1.81	1.85
Hebel2058			70mm Bradford Soundscreen Batts R2.0	Thermoseal Wall Wrap XP			2.44	2.56
Hebel2059			70mm Bradford Soundscreen Batts R2.0	Enviroseal Proctorwrap RW			2.00	2.11
Hebel2060			None	Polyair Performa 4.0 XHD			1.81	1.85
Hebel2061			70mm Bradford Soundscreen Batts R2.0	Thermoseal Wall Wrap XP			2.44	2.56
Hebel2062			70mm Bradford Soundscreen Batts R2.0	Enviroseal Proctorwrap RW			2.00	2.11
Hebel2063		70mm stud frame	None	Thermoseal Wall Wrap Prime	20mm		1.21	1.26
Hebel2064			75mm Bradford Gold Wall Batts R1.5	Thermoseal Wall Wrap Prime			1.75	1.87
Hebel2065			None	Thermoseal Wall Wrap Prime			1.21	1.26
Hebel2066		90mm stud frame	75mm Bradford Gold Wall Batts R1.5	Thermoseal Wall Wrap Prime	40mm		1.75	1.87
Hebel2067			None	Thermoseal Wall Wrap Prime			1.21	1.27
Hebel2068			90mm Bradford Gold Wall Batts R2.0	Thermoseal Wall Wrap Prime			2.07	2.22
Hebel2069		92mm stud frame	None	Thermoseal Wall Wrap Prime	40mm		1.21	1.27
Hebel2070			90mm Bradford Gold Wall Batts R2.0	Thermoseal Wall Wrap Prime			2.07	2.22
Hebel2071			None	Thermoseal Wall Wrap XP			1.55	1.60
Hebel2072		92mm stud frame	90mm Bradford Gold Wall Batts R2.0	Thermoseal Wall Wrap XP	20mm		2.51	2.67
Hebel2073			90mm Bradford Gold Wall Batts R2.5	Enviroseal Proctorwrap RW			2.32	2.46
Hebel2074			90mm Bradford Gold Wall Batts R2.7	Enviroseal Proctorwrap RW			2.42	2.55
Hebel2075			None	Thermoseal Wall Wrap XP			1.55	1.60
Hebel2076			90mm Bradford Gold Wall Batts R2.0	Thermoseal Wall Wrap XP			2.51	2.67
Hebel2077			None	Enviroseal Proctorwrap RW				2.46
Hebel2078			90mm Bradford Gold Wall Batts R2.7	Enviroseal Proctorwrap RW			2.42	2.55

Table 3.3.3 Guidance on wall wrap/sarking

Performance criteria	Guidance on wall wrap / sarking	Recommended wall wrap/ sarking	Reflective or non-reflective
Vapour barrier	Vapour barrier products are not recommended for condensation control in colder climate zones in conjunction with high insulation R Values.	Polyair Performa 4.0 XHD	Reflective double-sided
		Thermoseal Wall Wrap XP	Reflective single-sided
		Thermoseal Wall Wrap Prime	Reflective single-sided
Vapour permeable	Vapour permeable products are not recommended for use in tropical climate zones.	Enviroseal ProctorWrap RW	Non-reflective

NOTES:

1. Refer to NCC for state & territory variations.
2. Refer to NCC for alternative means of satisfying the required performance levels.
3. Refer to CSR Bradford product literature for design & installation requirements on wall wrap/ sarking and insulation.
4. The density of Gyprock plasterboard plus is 5.7 kg/m².
5. Stated R-values in Tables 3.3.1 and 3.3.2 has been provided by J.Fricker in report i107f dated 16/06/2020.
6. Stated R-value in Tables 3.3.1 and 3.3.2 includes 6mm skim render.

3.4 CONSTRUCTION DETAILS – OVERVIEW

Table 3.4.1 CONSTRUCTION DETAILS

Single storey construction details	Isometric view detail panel supported at base	Figure 3.5.1.1	Page 53
	Isometric view detail panel suspended	Figure 3.5.1.2	Page 53
	Hip roof elevation	Figure 3.5.1.3	Page 54
	Gable end	Figure 3.5.1.4	Page 54
	Typical section detail	Figure 3.5.1.5	Page 55
Two storey construction details	Typical section timber frame section using joists with > 1% shrinkage	Figure 3.5.2.1	Page 56
	Steel frame section or engineered using joists with ≤ 1% shrinkage	Figure 3.5.2.2	Page 56
Two storey addition details	Typical section with brick veneer below	Figure 3.5.3.1	Page 57
	Typical section with double brick below	Figure 3.5.3.2	Page 57
Fixing & installation details	Plan fixing detail	Figure 3.5.4.1	Page 58
	Layout elevation	Figure 3.5.4.2	Page 58
	Back block detail	Figure 3.5.4.3	Page 58
	Hebel PowerPanel ⁵⁰ External Wall System fixing detail - horizontal install	Figure 3.5.4.4	Page 58
Footing Junction details	Junction to shallow concrete edge beam	Figure 3.5.5.1	Page 59
	Footing junction suspended from frame	Figure 3.5.5.2	Page 59
	Junction to Hebel below finished ground	Figure 3.5.5.3	Page 59
	Junction to Hebel below concrete pavement slab	Figure 3.5.5.4	Page 59
	Junction to existing piers/stumps	Figure 3.5.5.5	Page 60
	Base detail suspended floor - pier connection	Figure 3.5.5.6	Page 60
Wall junction details & sections	Typical roof eaves detail - Option 1	Figure 3.5.6.1	Page 61
	Typical roof eaves detail - Option 2	Figure 3.5.6.2	Page 61
	Roof to wall junction detail	Figure 3.5.6.3	Page 61
	Balcony detail	Figure 3.5.6.4	Page 61
	Parapet capping	Figure 3.5.6.5	Page 62
	Hebel to pitched roof junction	Figure 3.5.6.6	Page 62
	Gable end wall detail	Figure 3.5.6.7	Page 62
	Gable end wall detail - lintel panel over window	Figure 3.5.6.8	Page 62
Control joints	Internal corner	Figure 3.5.7.1	Page 63
	External corner	Figure 3.5.7.2	Page 63
	Typical horizontal control joint - engineered timber or steel frame	Figure 3.5.7.3	Page 64
	Horizontal control joint - Cavity brickwork to Hebel PowerPanel ⁵⁰	Figure 3.5.7.4	Page 64
	Horizontal control joint - Brick veneer to Hebel PowerPanel ⁵⁰ - Option 1	Figure 3.5.7.5	Page 64
	Horizontal control joint - Brick veneer to Hebel PowerPanel ⁵⁰ - Option 2	Figure 3.5.7.6	Page 64
	Typical vertical control joint	Figure 3.5.7.7	Page 64
	Typical vertical control joint with double studs	Figure 3.5.7.8	Page 64
	Control joints at door openings	Figure 3.5.7.9	Page 65
	Control joints at window	Figure 3.5.7.10	Page 65
Door & window detail	Typical window sill detail - aluminium window frame - Option 1	Figure 3.5.8.1	Page 66
	Typical window sill detail - aluminium window frame - Option 2	Figure 3.5.8.2	Page 66
	Typical window sill detail - aluminium window frame - Option 3	Figure 3.5.8.3	Page 66
	Header detail	Figure 3.5.8.4	Page 66
	Garage head detail	Figure 3.5.8.5	Page 66
	Garage door - jamb detail - Option 1	Figure 3.5.8.6	Page 66
	Garage door - jamb detail - Option 2	Figure 3.5.8.7	Page 66
	Panel over window - Option 1	Figure 3.5.8.8	Page 67
	Panel over window - Option 2	Figure 3.5.8.9	Page 67

3.5 CONSTRUCTION DETAILS

3.5.1 SINGLE STOREY CONSTRUCTION DETAILS

Figure 3.5.1.1 Single storey construction - isometric view detail panel supported at base

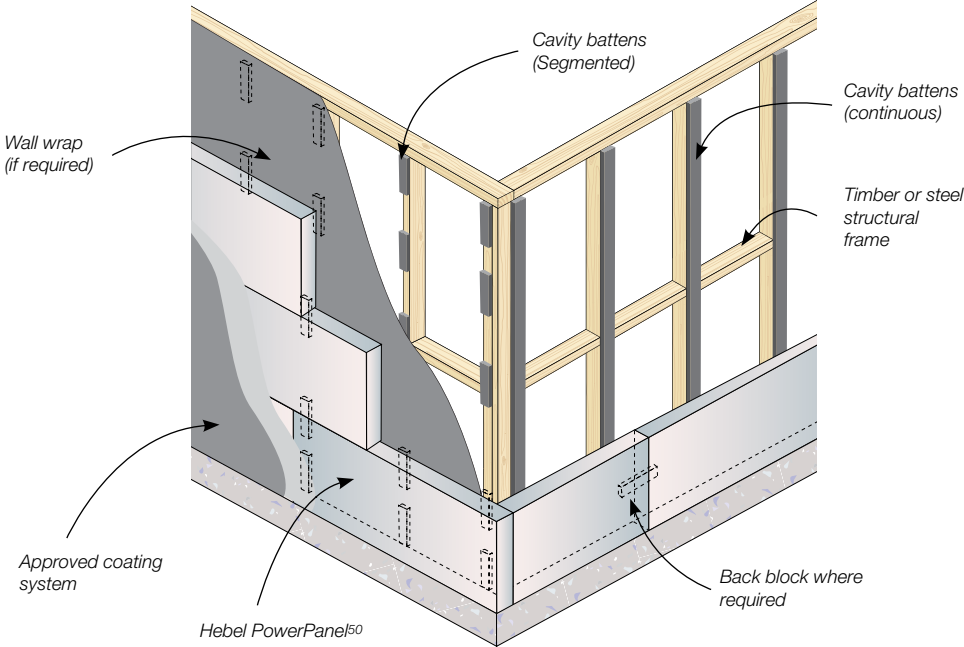
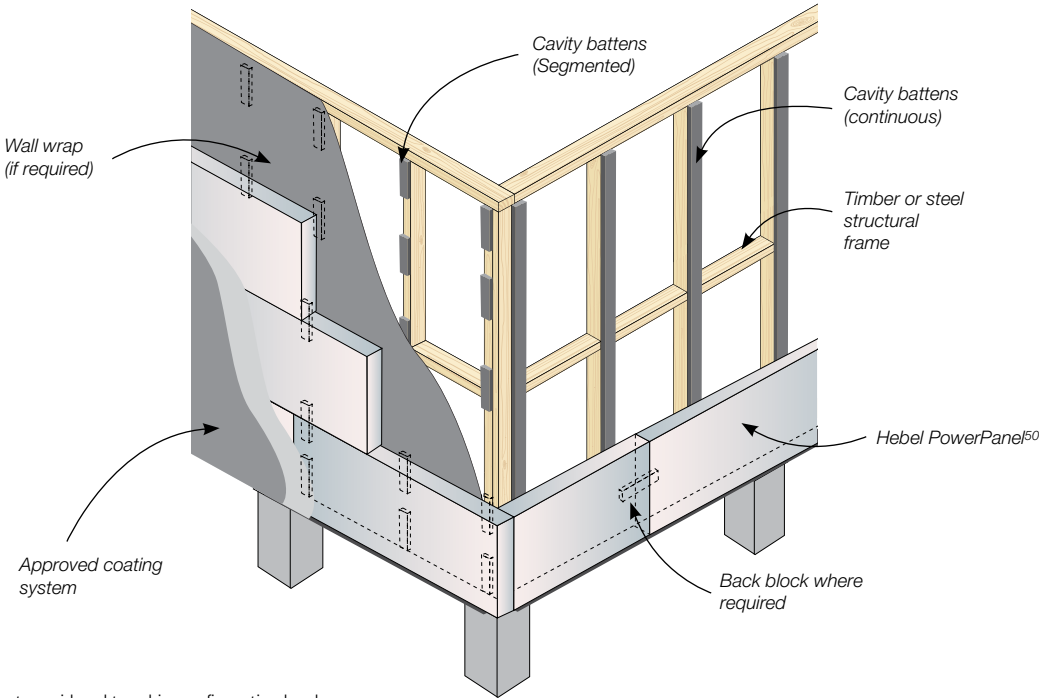


Figure 3.5.1.2 Single storey construction - isometric view detail panel suspended



NOTES:

- 1. This detail is not considered to achieve a fire rating level.
- 2. The light gauge steel angle is for the purpose of closing the cavity at the base of the wall.

Figure 3.5.1.3 Single storey construction - hip roof elevation

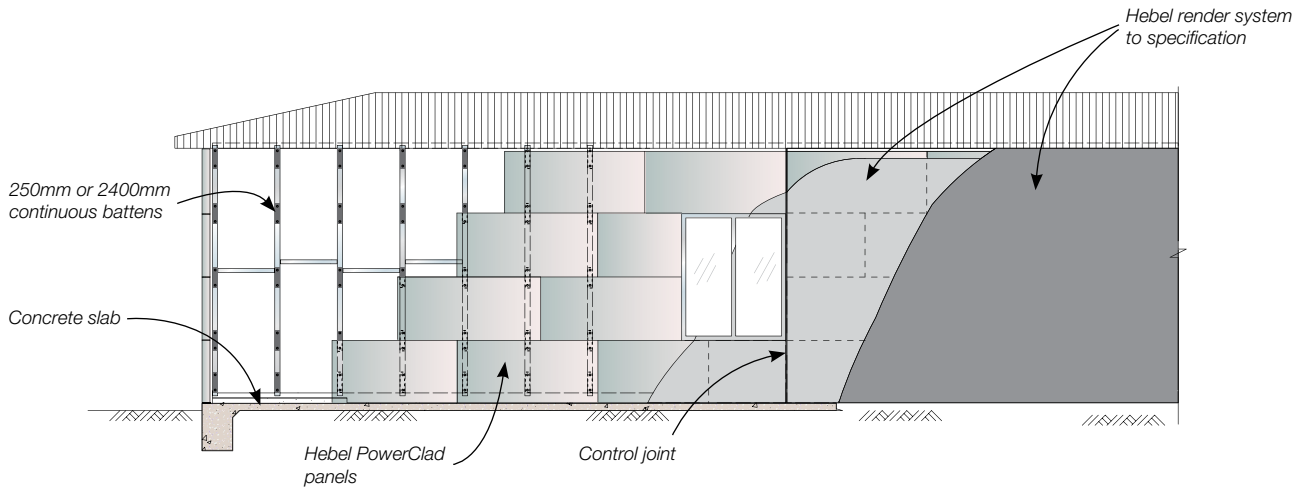


Figure 3.5.1.4 Single storey construction - Gable end

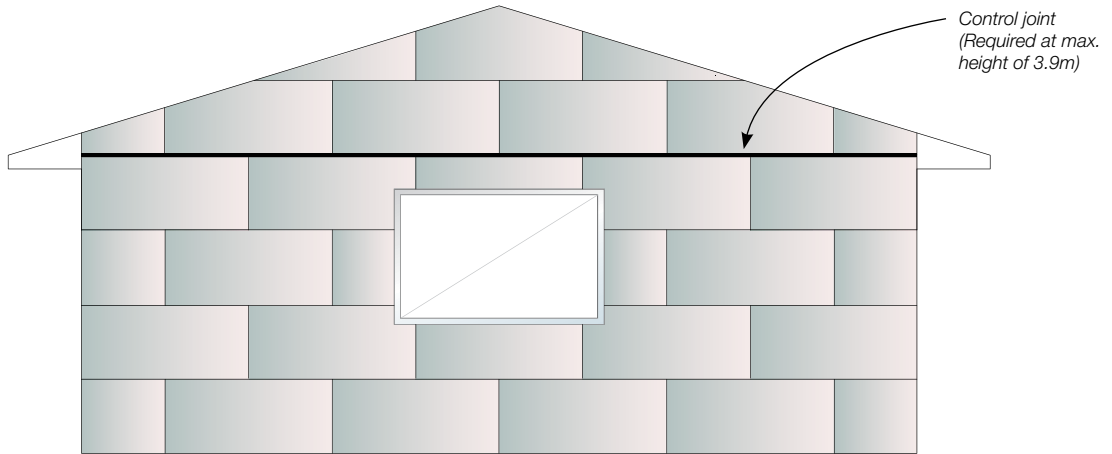
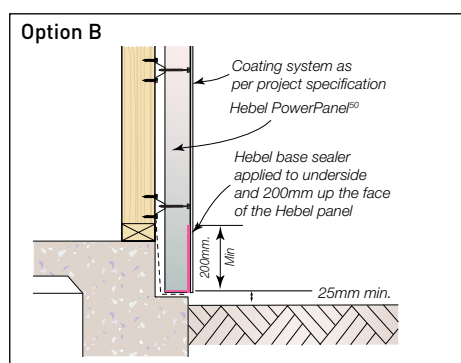
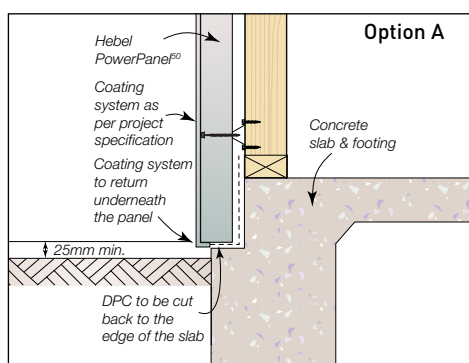
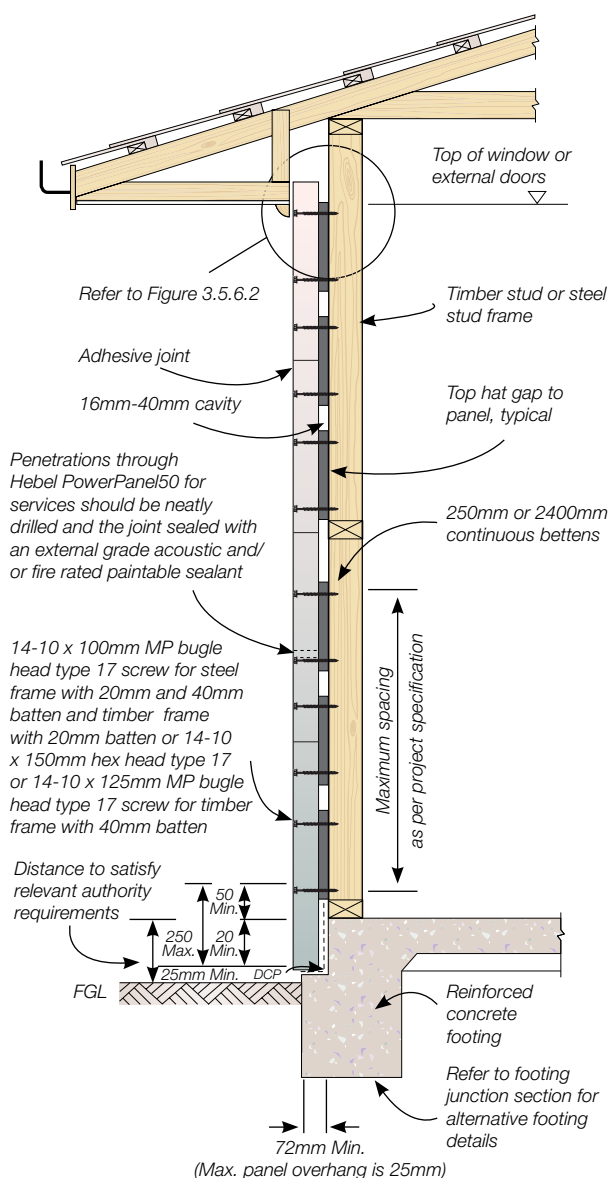


Figure 3.5.1.5 Single storey construction – typical section detail



NOTES:

- Figure 3.5.1.5 slab edge details do not comply with the termite visible inspection zone requirements. Alternate termite management systems must be used when selecting these details. It is the responsibility of the builder to provide a suitable physical or chemical barrier in accordance with AS 3660.
- Hebel PowerPanel⁵⁰ panels are supported at the base on concrete slab edge.
- The distance from the underside of the PowerPanel⁵⁰ panel to Finished Ground Level (FGL) maybe 25mm min. or as per relevant authority requirements, see option A and B. Ensure soil is cut away at the slab edge to provide enough room to accommodate the coating of the underside of the panel (applies to option A only). For more details please contact Hebel Technical services to obtain a copy of Hebel Technical Update TU-033.
- Where the slab edge is rendered on sites that contain saline soils, please refer to page 6 of the guide for further details.

3.5.2 TWO STOREY CONSTRUCTION DETAILS

Figure 3.5.2.1 Two storey construction – typical timber frame section using joists with >1% shrinkage

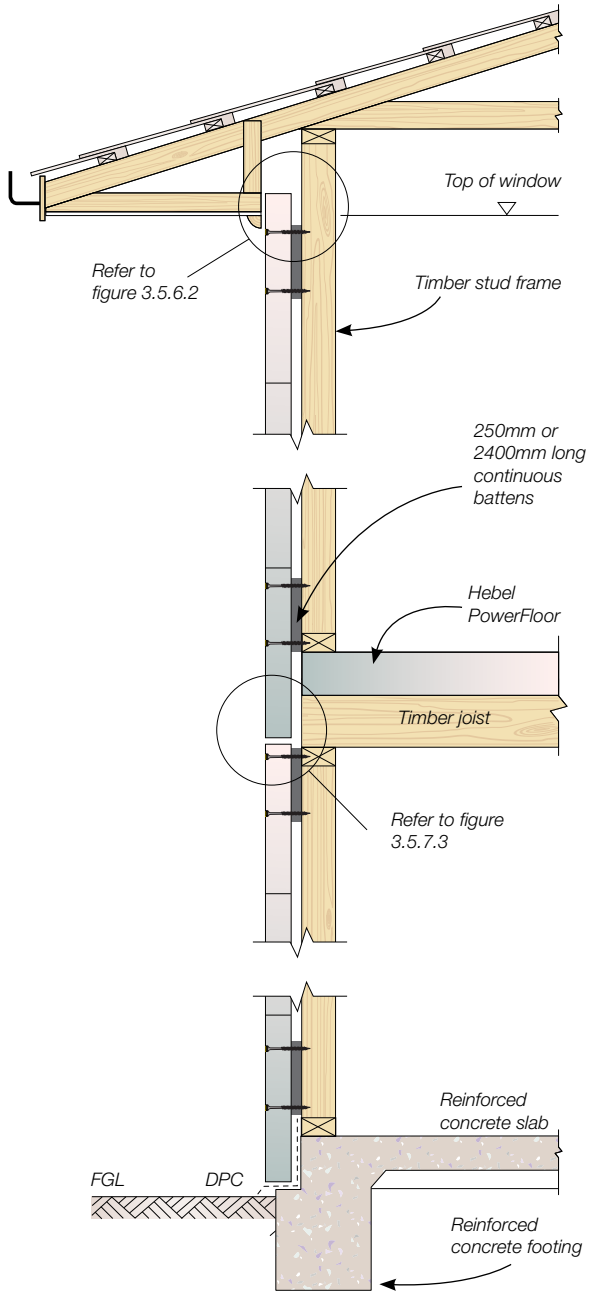
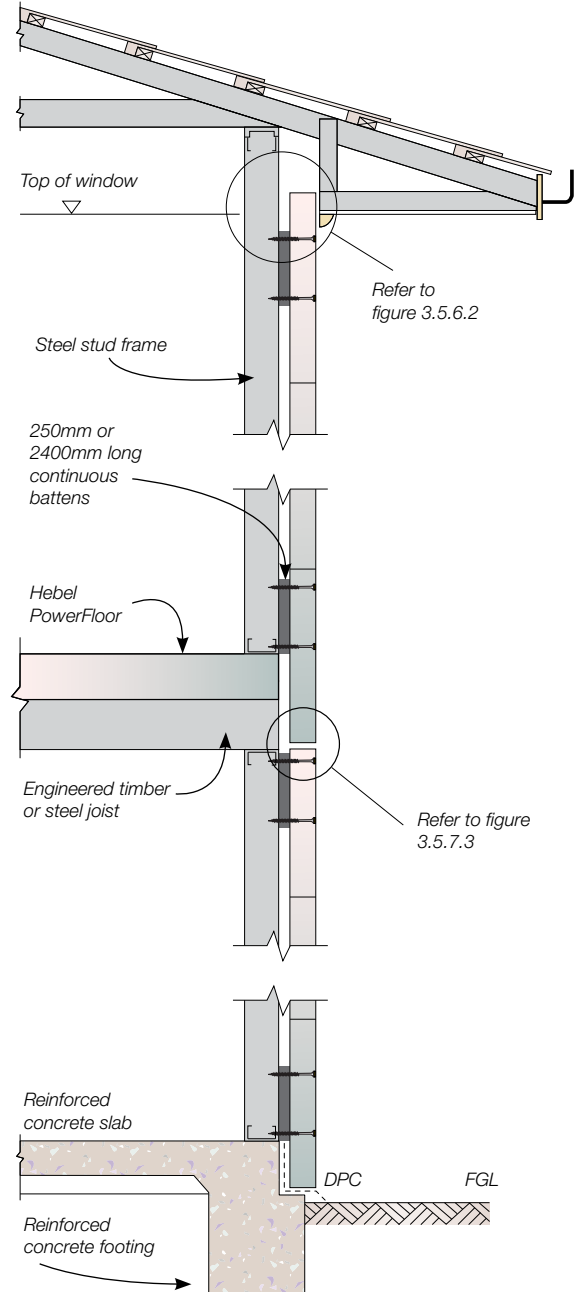


Figure 3.5.2.2 two storey construction – steel frame section or engineered joists with ≤1% shrinkage



3.5.3 TWO STOREY ADDITION DETAILS

Figure 3.5.3.1 Two storey additions – typical section with brick veneer below

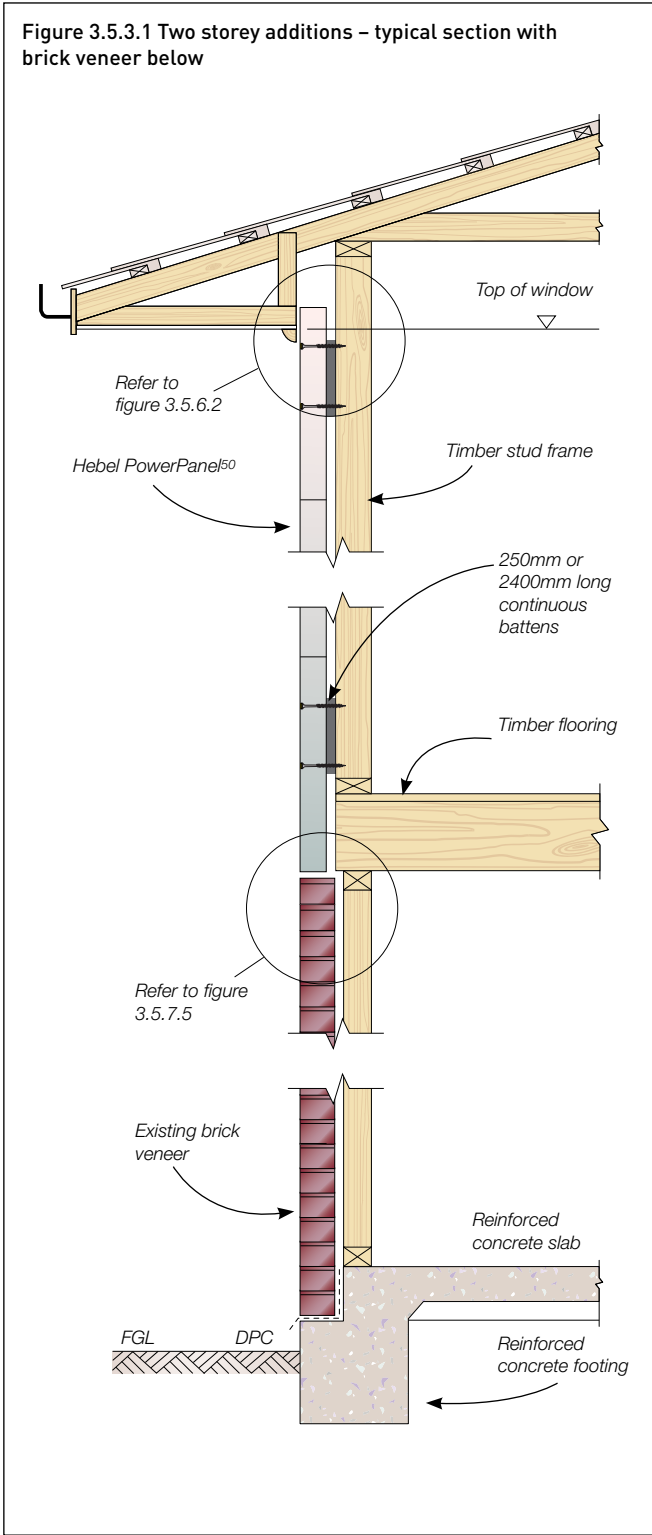
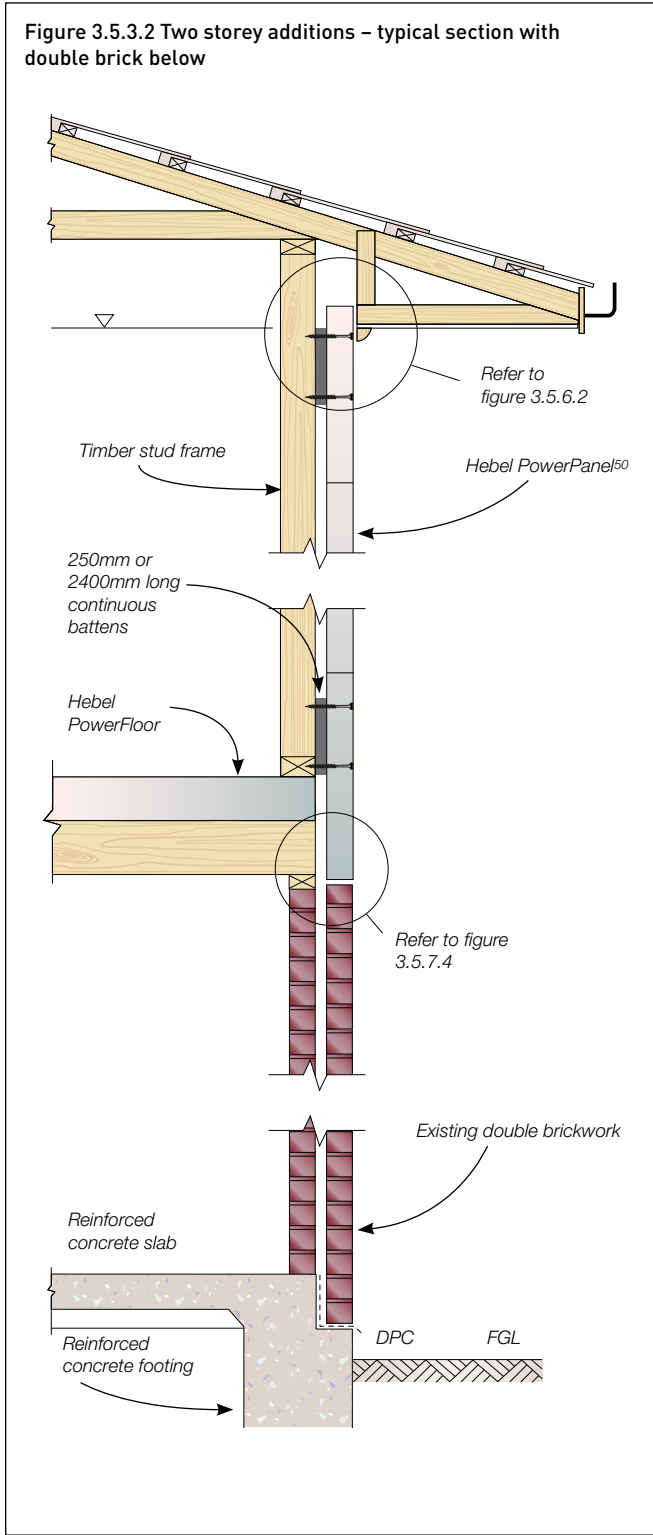


Figure 3.5.3.2 Two storey additions – typical section with double brick below



3.5.4 FIXING & INSTALLATION DETAILS

Figure 3.5.4.1 Plan fixing detail

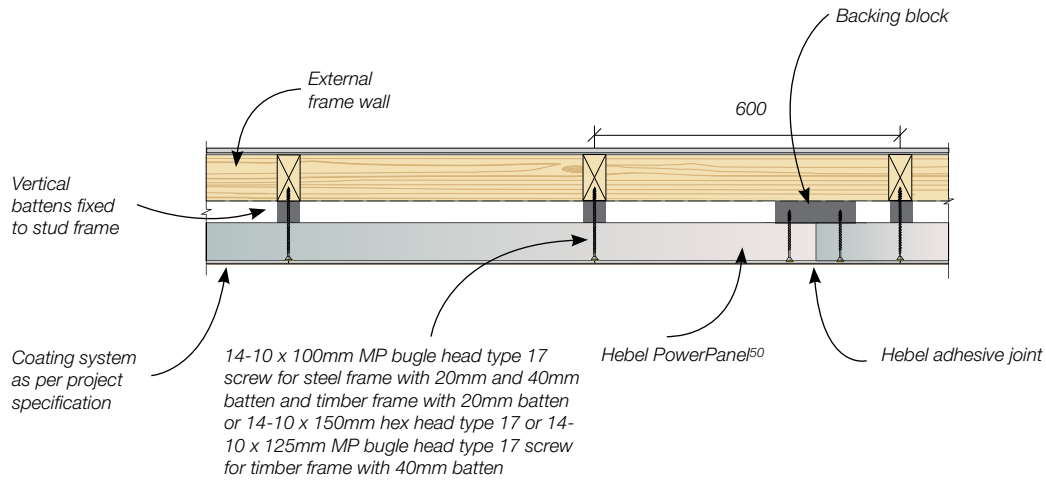


Figure 3.5.4.2 Layout elevation

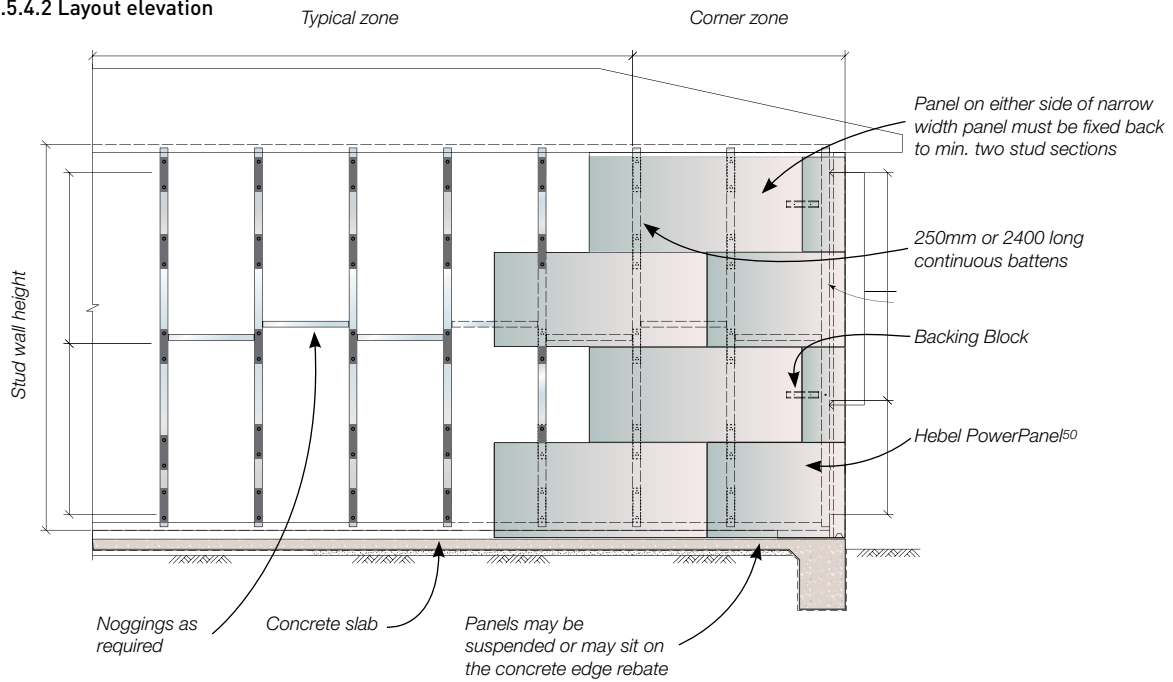


Figure 3.5.4.3 Back block detail

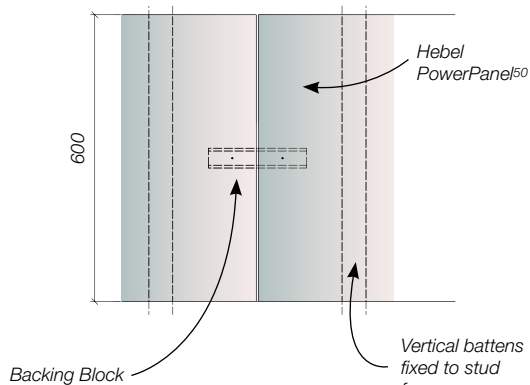
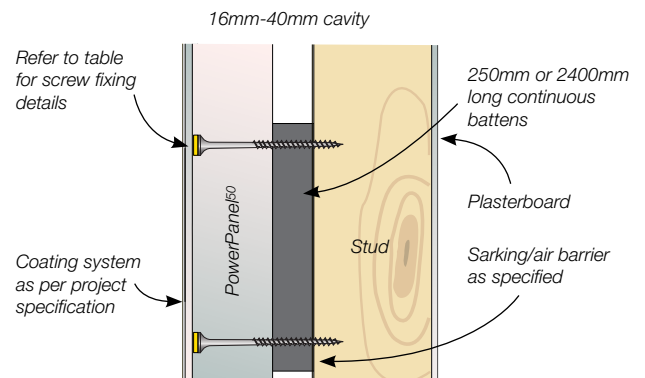
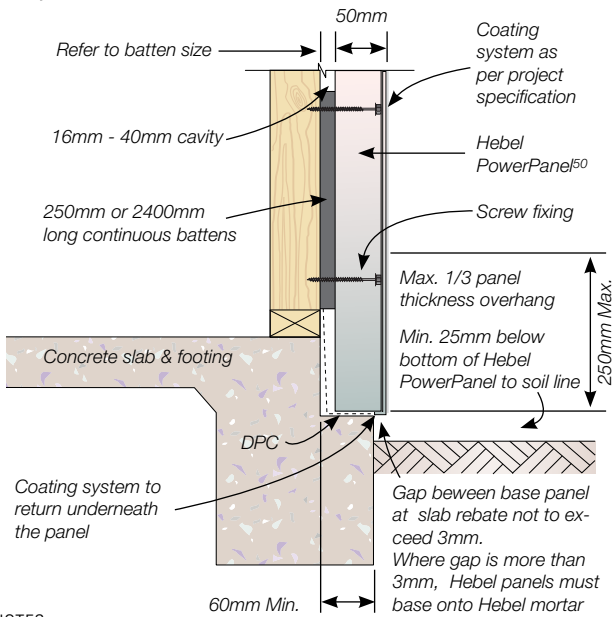


Figure 3.5.4.4 Hebel PowerPanel⁵⁰ External Wall System fixing detail (Achieves FRL 90/90/90 when installed as part of the wall system. See section 1.5)



3.5.5 FOOTING JUNCTION DETAILS

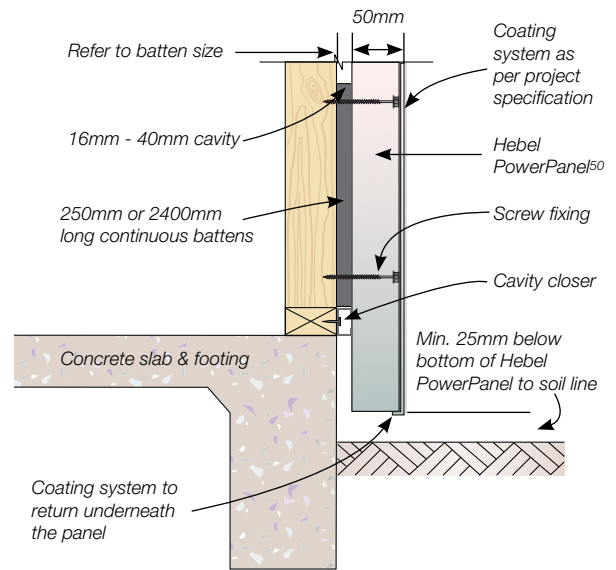
Figure 3.5.5.1 Junction to shallow concrete edge beam
 (Achieves FRL 90/90/90 when installed as part of the wall system. See Section 1.5)



NOTES:

1. All garden beds and/or finished soil line must remain a minimum of 25mm below the bottom of the finished rendered wall.
2. This slab edge detail does not comply with the termite visible inspection zone requirements. Alternate termite management systems must be used when selection this detail. It is the responsibility of the builder to provide a suitable physical or chemical barrier in accordance with AS 3660.

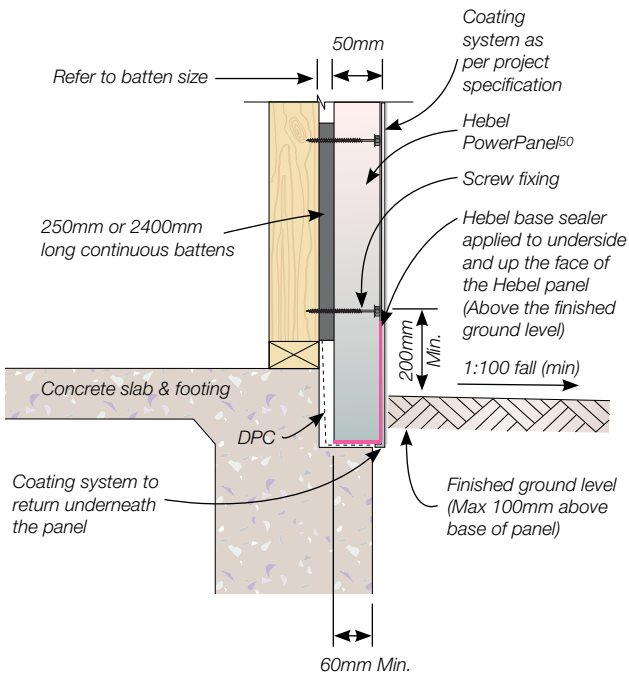
Figure 3.5.5.2 Footing junction suspended from frame



NOTES:

1. All garden beds and/or finished soil line must remain a minimum of 25mm below the bottom of the finished rendered wall.
2. This slab edge detail does not comply with the termite visible inspection zone requirements. Alternate termite management systems must be used when selection this detail. It is the responsibility of the builder to provide a suitable physical or chemical barrier in accordance with AS 3660.
3. This detail is not considered to achieve a fire rating level

Figure 3.5.5.3 Junction to Hebel below finish ground



NOTES:

1. This slab edge detail does not comply with the termite visible inspection zone requirements. It is the responsibility of the builder to ensure chemical barrier in accordance with AS3660 is installed or other suitable termite protection system is adopted.
2. Hebel PowerPanel base must be coated with Hebel Base Sealer prior to installation.
3. Hebel Base Sealer to be applied min. 200mm above finished ground level.

Figure 3.5.5.4 Junction to Hebel below concrete pavement slab

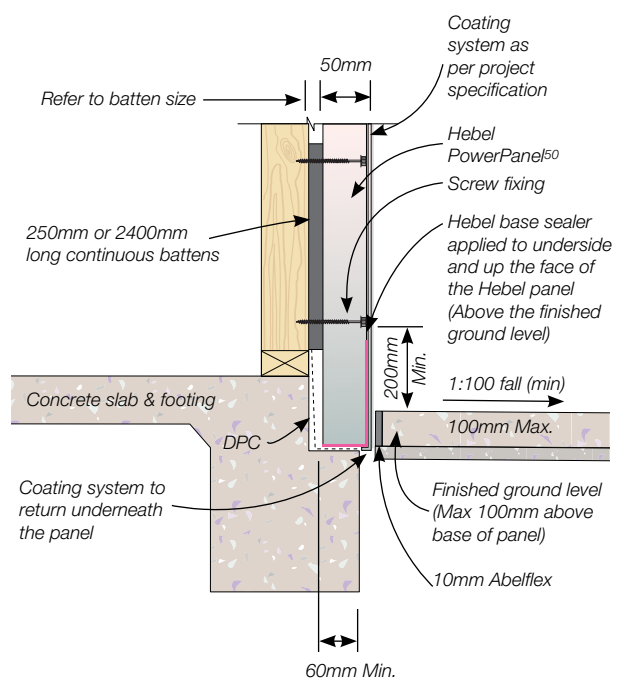
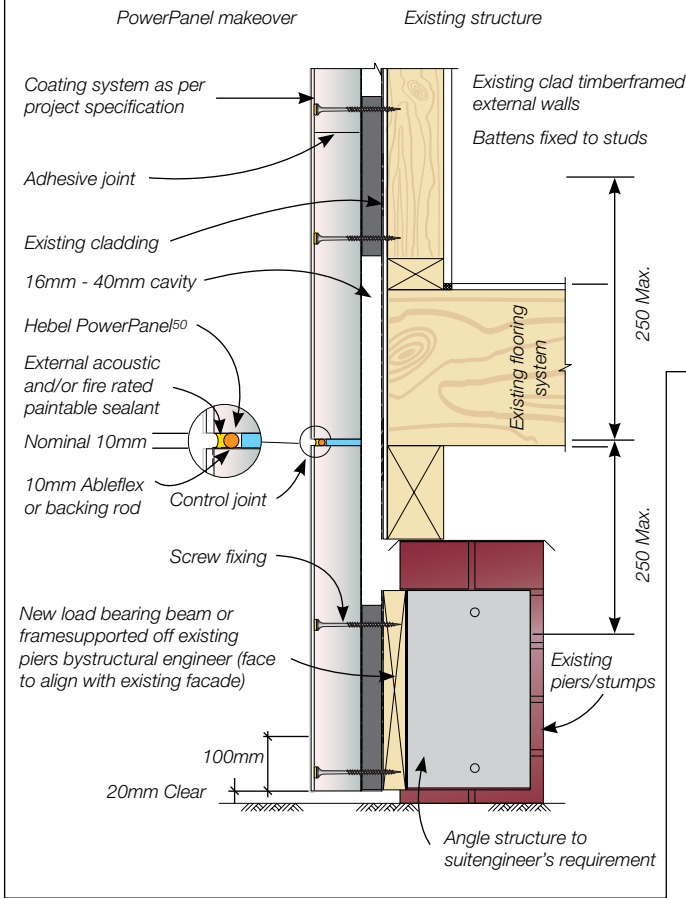


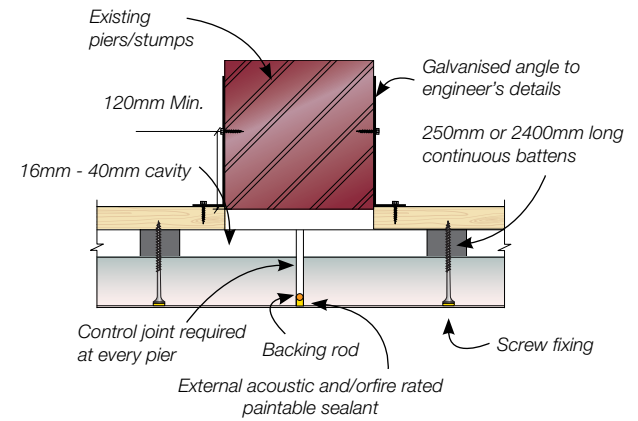
Figure 3.5.5.5 Junction to existing piers/stumps



NOTES:

1. This detail is not considered to achieve a fire rating level
2. This slab edge detail does not comply with the termite visible inspection zone requirements. Alternate termite management systems must be used when selection this detail. It is the responsibility of the builder to provide a suitable physical or chemical barrier in accordance with AS 3660.

Figure 3.5.5.6 Base detail suspended floor - pier connection



3.5.6 WALL JUNCTION DETAILS & SECTIONS

Figure 3.5.6.1 Typical roof eaves detail - Option 1

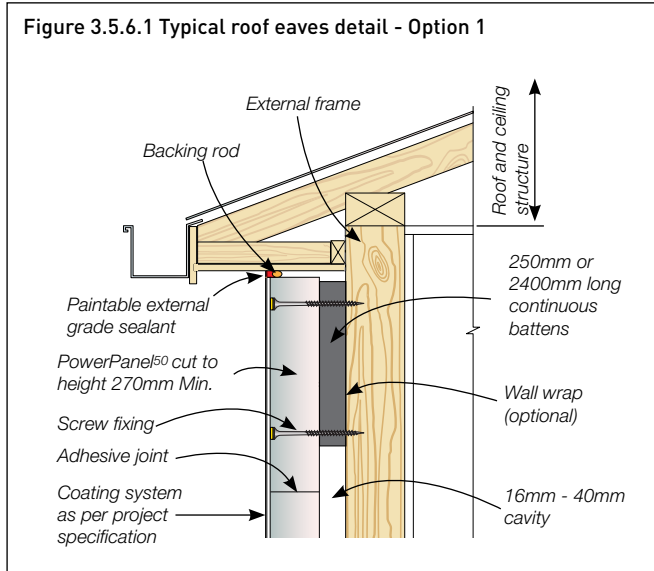


Figure 3.5.6.2 Typical roof eaves detail - Option 2

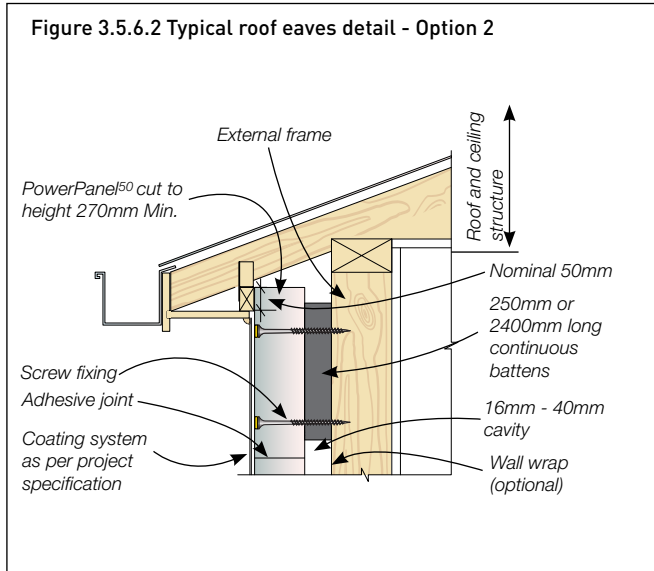


Figure 3.5.6.3 Roof to wall junction detail

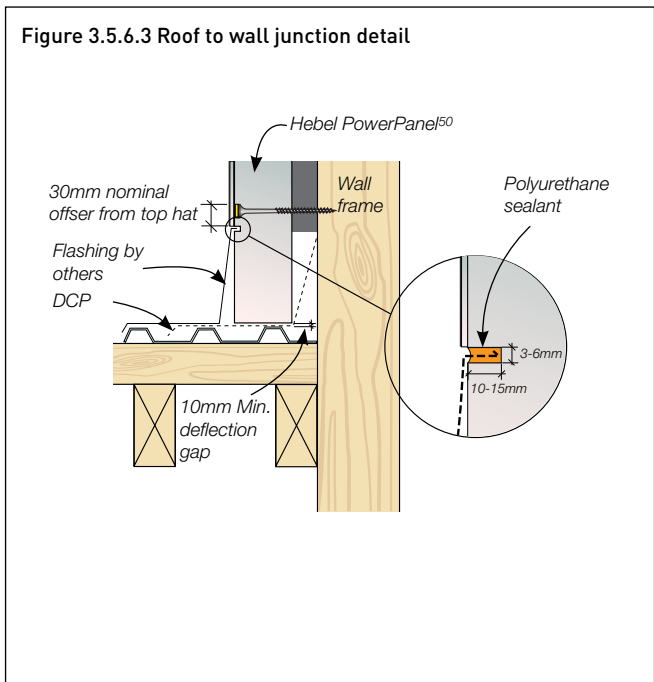


Figure 3.5.6.4 Balcony detail

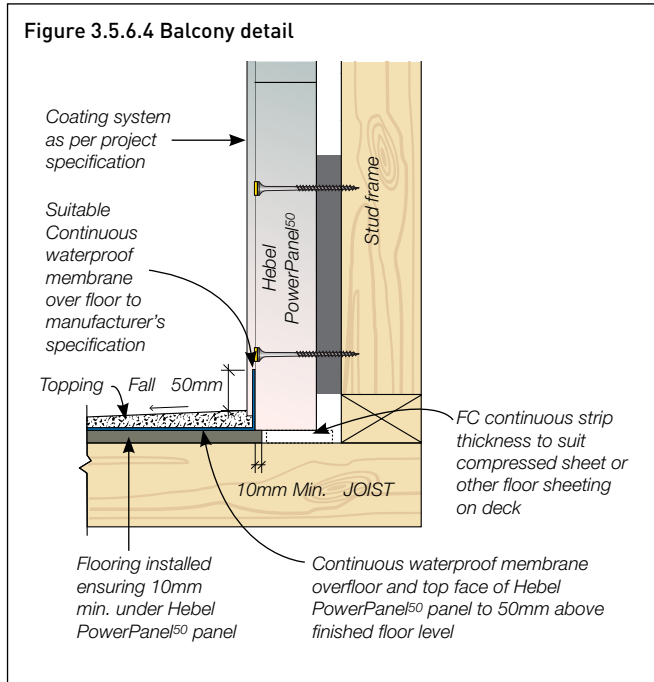


Figure 3.5.6.5 Parapet capping

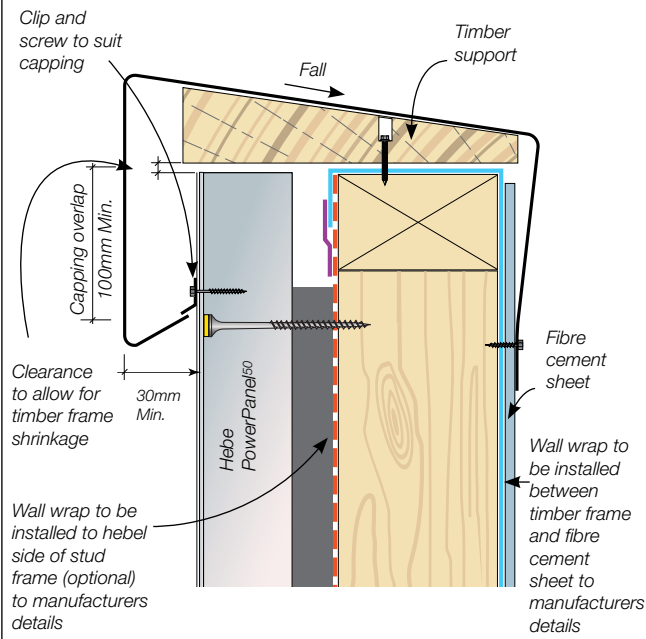
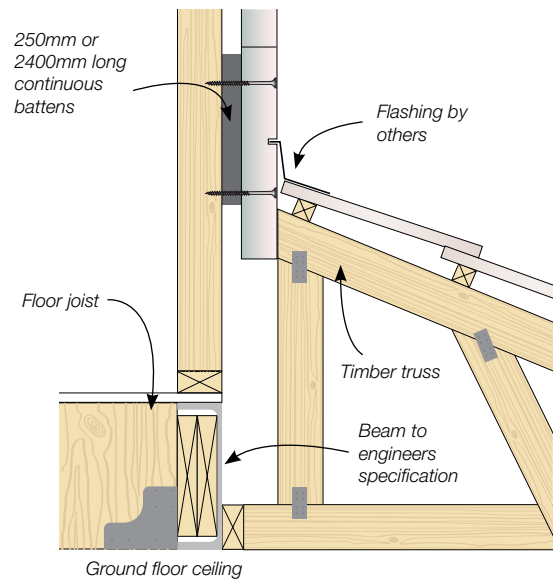


Figure 3.5.6.6 Hebel to pitched roof junction



NOTE: Hebel PowerPanel⁵⁰ panels are suspended from frame. Refer to tables 1.2.3 and 1.2.4 of this guide for design.

Figure 3.5.6.7 Gable end wall detail

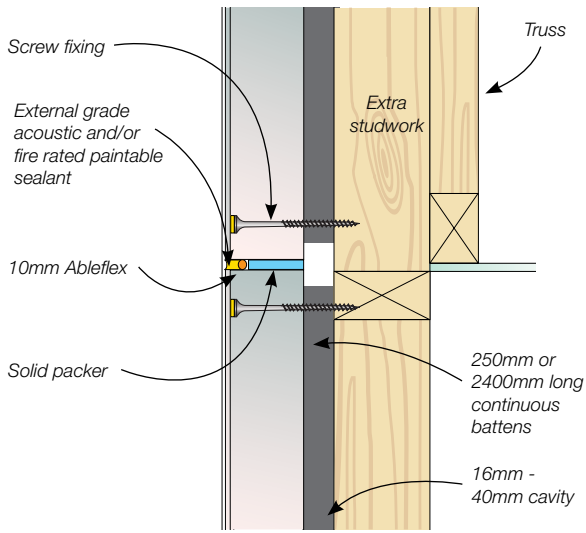
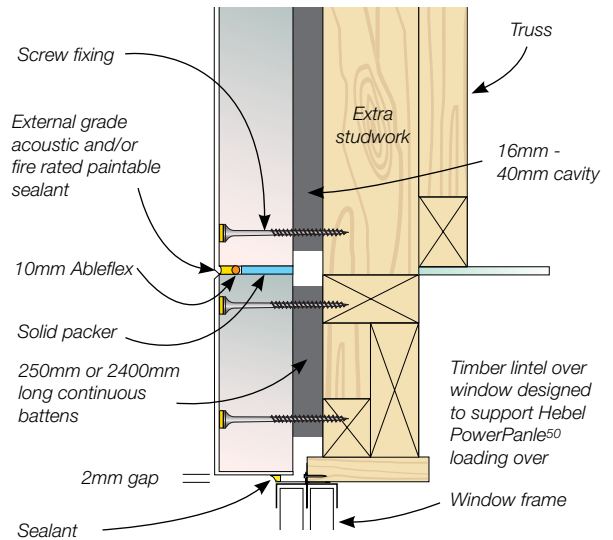


Figure 3.5.6.8 Gable end wall detail – lintel panel over window



3.5.7 CONTROL JOINTS

The following information provides the necessary rules for control jointing when installing the Hebel PowerPanel⁵⁰ External Wall System:

- Refer section 1.3 (Table 1.3.1) for vertical control joint spacing (based on site classification)
- Vertical control joints required at external and internal corners
- Vertical control joints required above and below all doors, including sliding and garage doors
- Vertical control joints required at the position where a wall changes height by more than 20% e.g a vertical control joint is required when wall height changes from 2700mm to ≥ 3240 mm.
- Horizontal control joints required at every horizontal floor junction
- Horizontal control joints required at a maximum height of 3.9m.

For openings < 2450mm in width

- Control joint not required. If the straight joint that extends above or below the window jamb is less than 600mm long, a control joint is required.

For openings ≥ 2450 mm and < 3600mm wide

- Control joint required to at least one side of the opening (i.e. above and below the opening). If the straight joint that extends above or below the window jamb is less than 600mm long a control joint is required to the opposite side of the opening.

For openings ≥ 3600 mm in width

- Control joint required to both sides of the opening (i.e. above and below the opening).

NOTES:

1. The minimum lintel panel height above windows is 270mm.
2. Footing and slab design to comply with AS 2870.
3. Vertical control joints are not required to align between storeys of the building and can be terminated at the horizontal control joint located within the upper storey floor framing structure zone/depth.
4. The PowerPanel⁵⁰ panels can be installed directly beside window or door openings (retaining a minimum 2-3mm gap between window jamb and panel) such that the control joint is only installed above and below the opening to the required width, negating the need to provide the width of the control joint directly beside the window or door. The 2-3mm gap is also required at the head of the window or door to the head panel.

Figure 3.5.7.1 Internal corner (Achieves FRL 90/90/90 when installed as part of the wall system. See section 1.5)

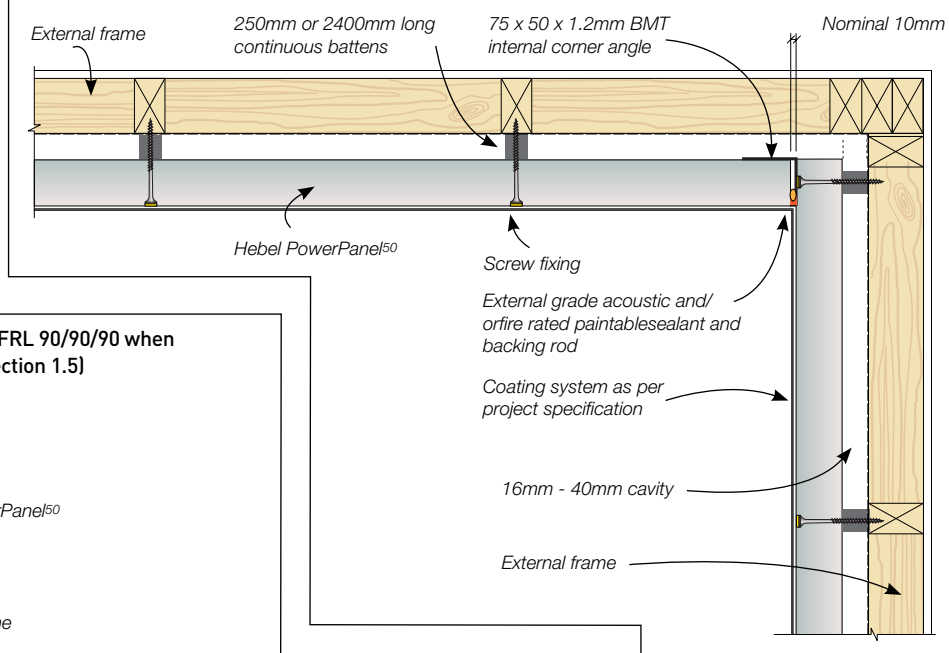


Figure 3.5.7.2 External corner (Achieves FRL 90/90/90 when installed as part of the wall system. See section 1.5)

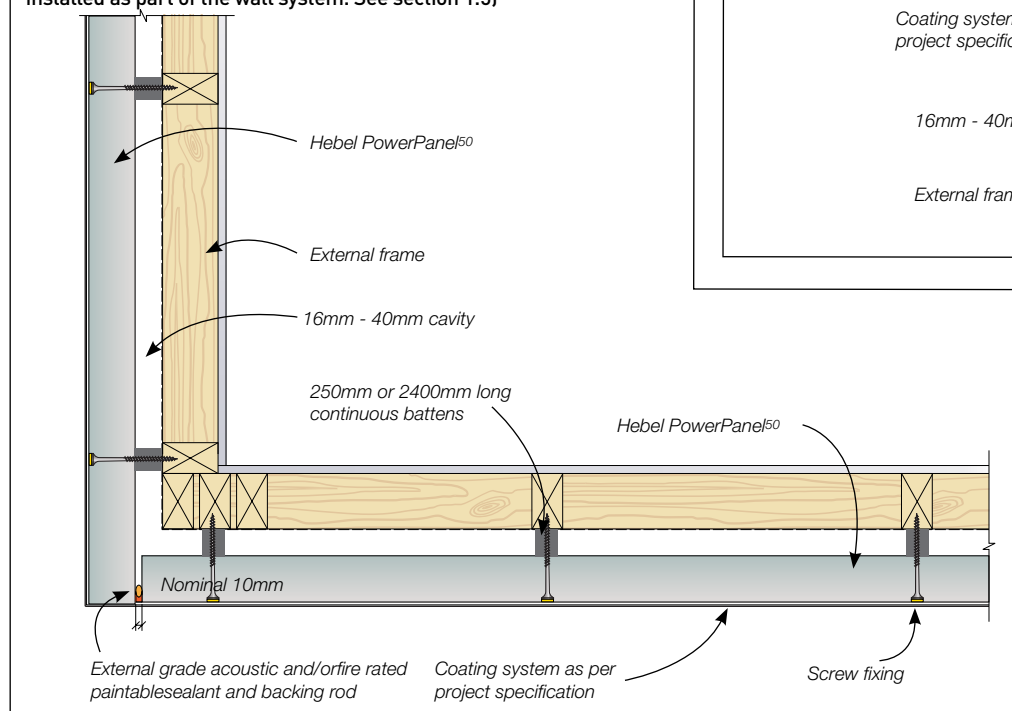


Figure 3.5.7.3 Typical horizontal control joint – engineered timber or steel frame [Achieves FRL 90/90/90 when installed as part of the wall system. See section 1.5]

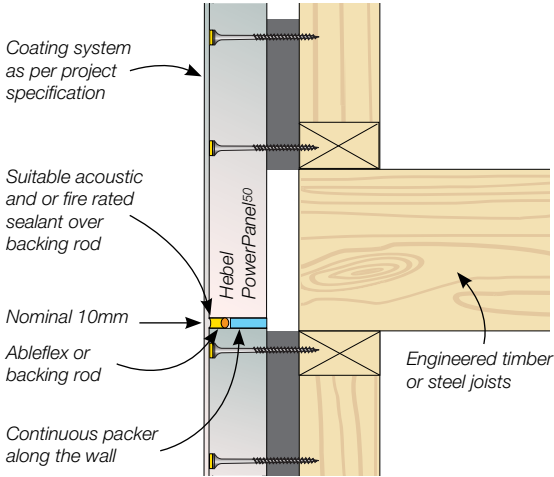


Figure 3.5.7.4 Horizontal control joint – Cavity brickwork to Hebel PowerPanel⁵⁰

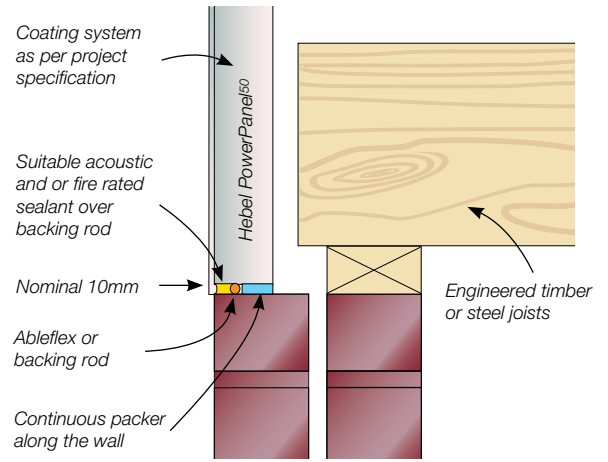


Figure 3.5.7.5 Horizontal control joint – Brick veneer to Hebel PowerPanel⁵⁰ - Option 1

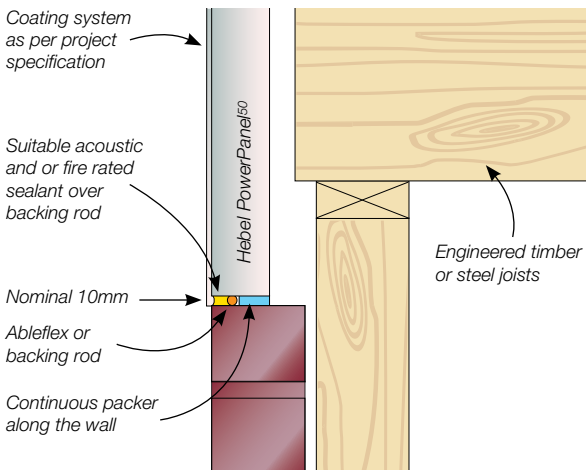


Figure 3.5.7.6 Horizontal control joint – Brick veneer to Hebel PowerPanel⁵⁰ - Option 2

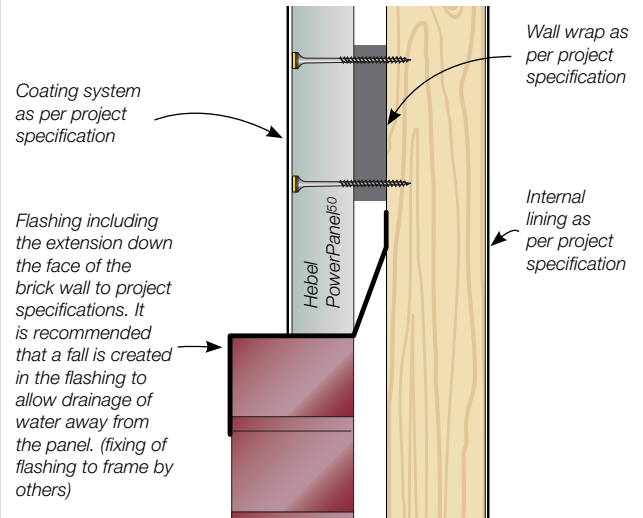


Figure 3.5.7.7 Typical vertical control joint [Achieves FRL 90/90/90 when installed as part of the wall system. See section 1.5]

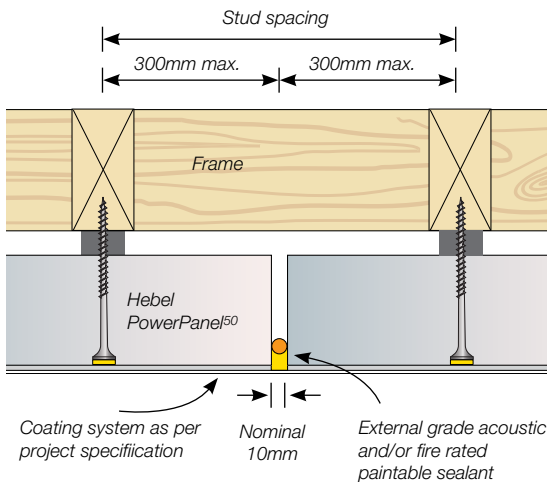


Figure 3.5.7.8 Typical vertical control joint with double studs [Achieves FRL 90/90/90 when installed as part of the wall system. See section 1.5]

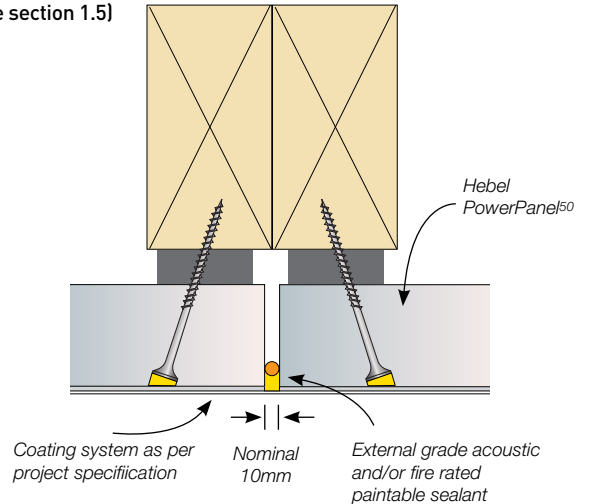


Figure 3.5.7.9 Control joints at door openings

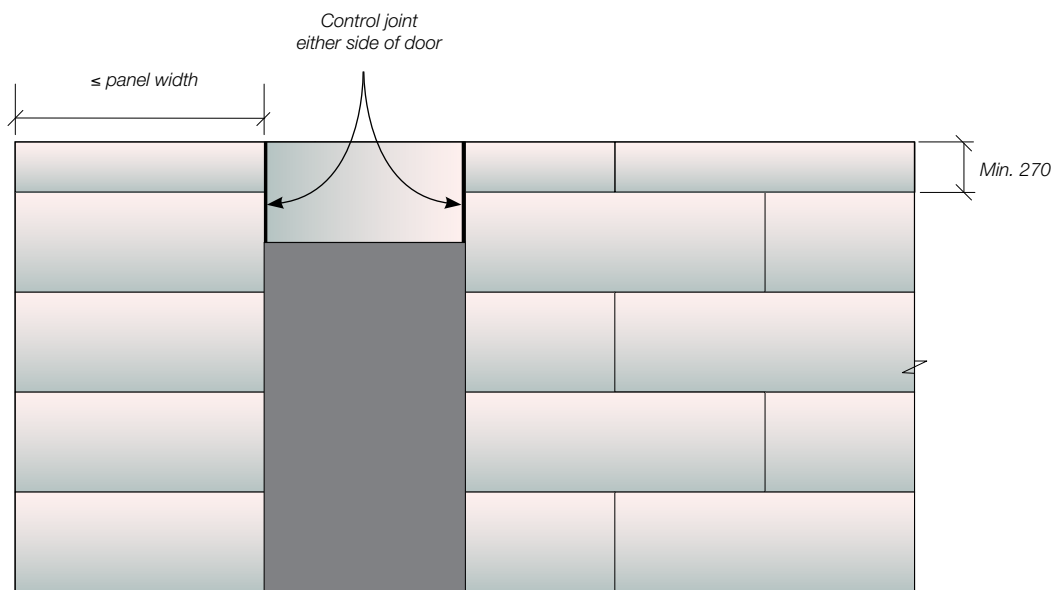
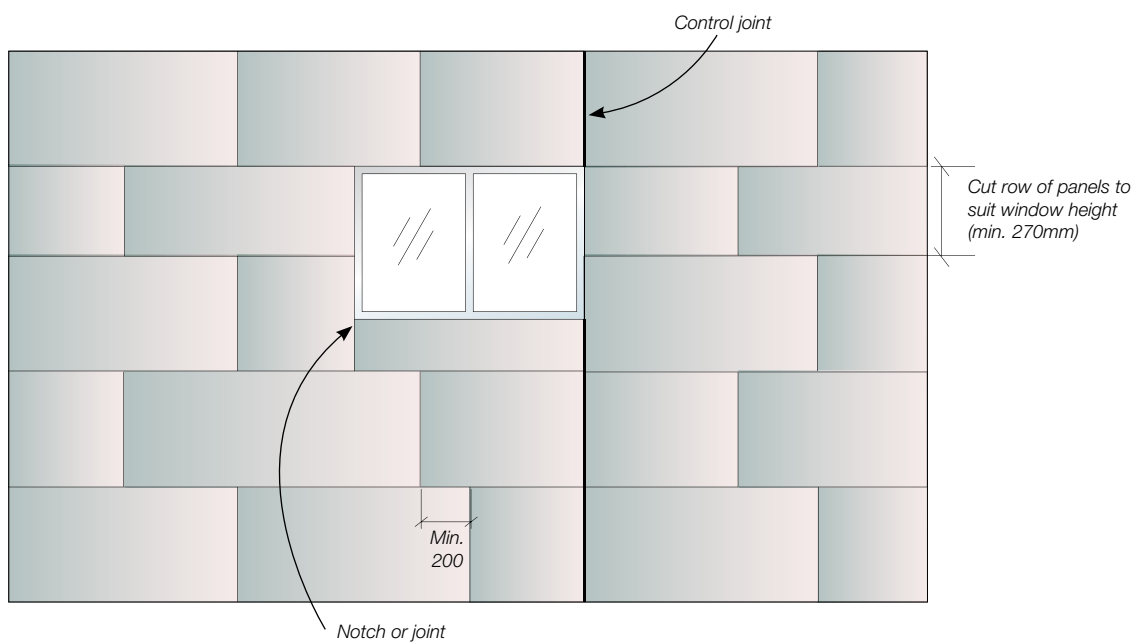
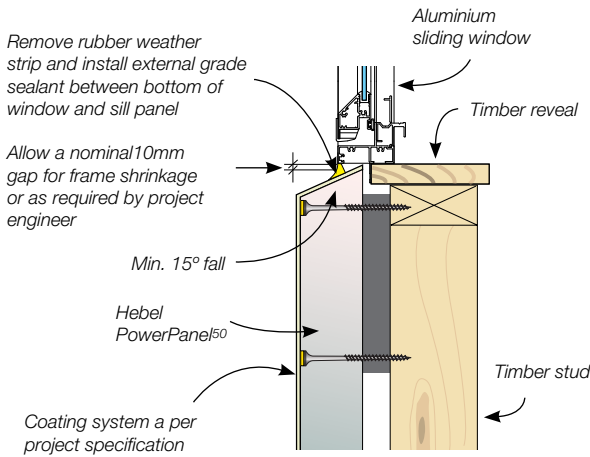


Figure 3.5.7.10 Control joints at window



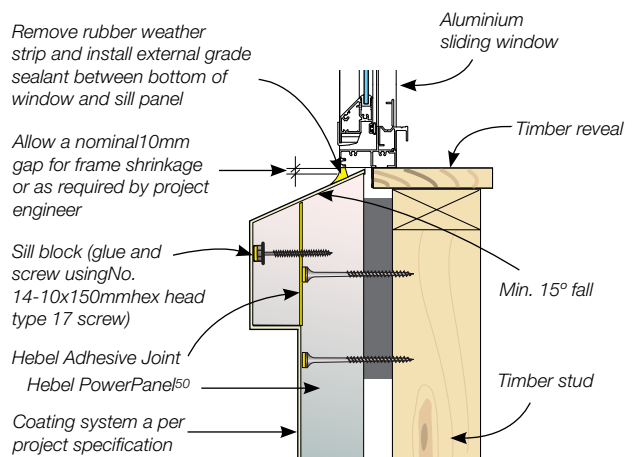
3.5.8 DOOR & WINDOW DETAIL

Figure 3.5.8.1 Typical window sill detail – aluminium window frame – Option 1



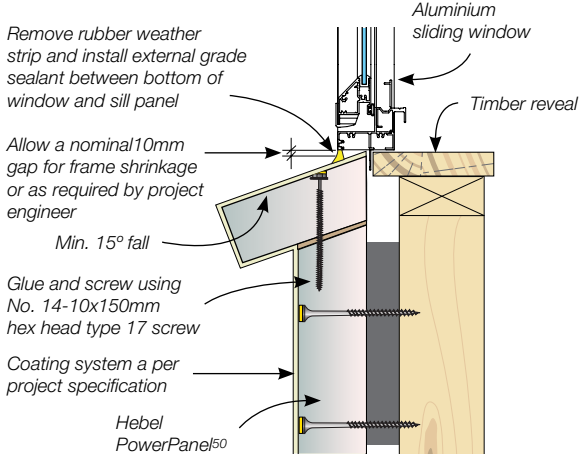
NOTE: Include suitable backing rod and sealant for 5-10mm gaps.

Figure 3.5.8.2 Typical window sill detail – aluminium window frame – Option 2



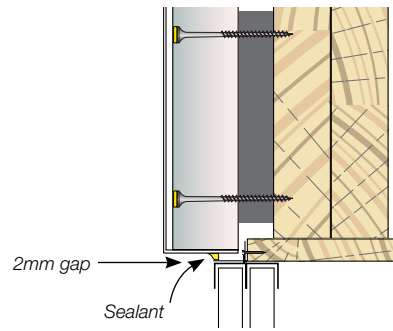
NOTE: Include suitable backing rod and sealant for 5-10mm gaps.

Figure 3.5.8.3 Typical window sill detail – aluminium window frame – Option 3



NOTE: Include suitable backing rod and sealant for 5-10mm gaps.

Figure 3.5.8.4 Header detail



NOTE: Drainage of window and door sills, in either aluminium or timber, should be directed to the outside of the building, on top of the window sill.

Figure 3.5.8.5 Garage head detail

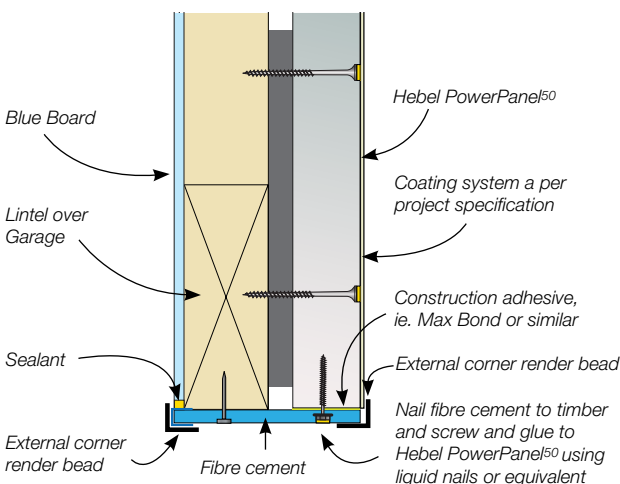


Figure 3.5.8.6 Garage door – jamb detail – Option 1

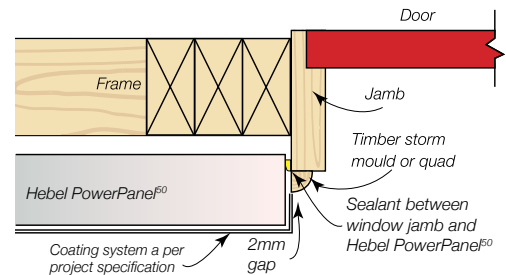


Figure 3.5.8.7 Garage door – jamb detail – Option 2

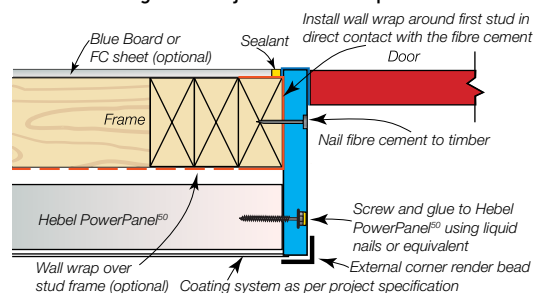


Figure 3.5.8.8 Panel over window - Option 1

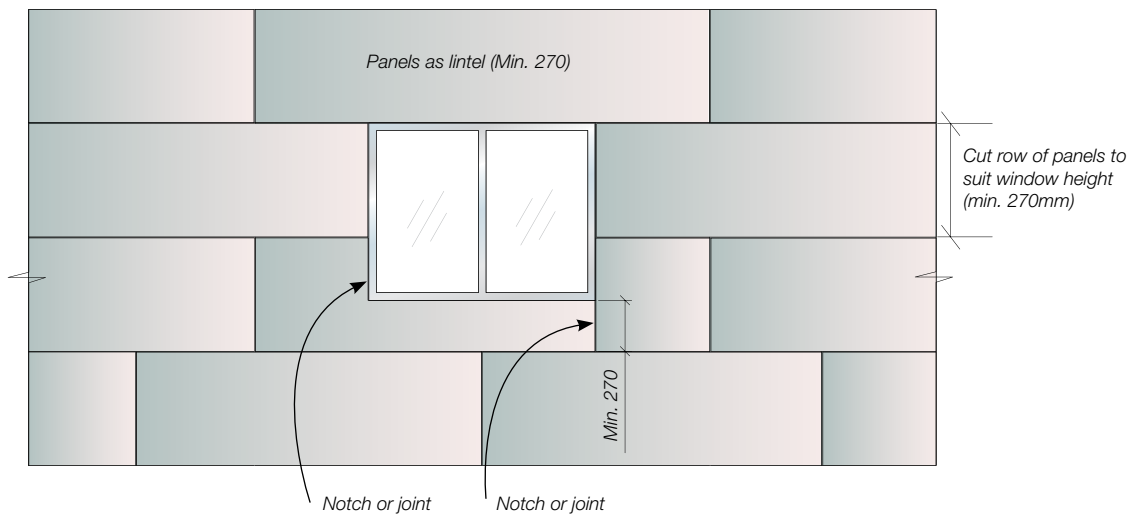
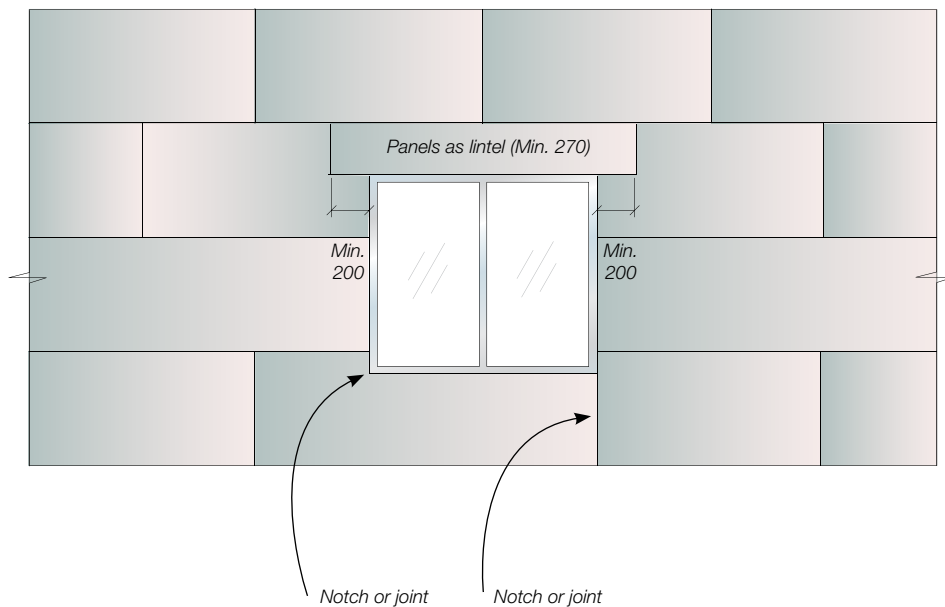


Figure 3.5.8.9 Panel over window - Option 2



4.1 DELIVERY AND STORAGE

UNLOADING PANELS

Panels must be unloaded and moved with only approved lifting devices. Before use, the lifting devices should be checked for the required lifting tags. Panels should be unloaded as close as possible to the intended installation area. This will increase work efficiency and minimise the need for secondary lifting.

NOTE: Secondary handling increases the risk of panel damage. The repair of damage sustained during lifting and moving is the responsibility of the lifter. Where damage is excessive, panels must be replaced.

STORAGE

All materials should be kept dry and preferably stored undercover. Care should be taken to avoid sagging or damage to ends, edges and surfaces.

All Hebel products must be stacked on edge and properly supported off the ground, on a level platform. Panel bundles can be stacked two high.

The project engineer should be consulted as to the adequacy of the structure to support the stacked bundles. Each bundle contains ten PowerPanels. Where bundles are stacked two high the supporting cleats must be vertically aligned to ensure minimal bending of the lower panels. (see Figure 4.1.1). If Hebel PowerPanels are stored outside they must be stored off the ground and protected from the weather.

To provide a level surface we recommend placing temporary joists beneath the supporting cleats.

UNSTRAPPING PACKS

Ensure appropriate bracing is installed to packs prior to removal of strapping to prevent panels from falling. Panels can be held together with sash clamps, ratchet, straps or Hebel stabilising bars.

SAFE STACKING OF HEBEL

Figure 4.1.1 Stacking bundles of Hebel PowerPanel

- NEVER stack strapped panels more than two packs high.
- Brace all unstrapped panels – timber bracing can be used with 100mm screws
- NEVER place panels on council strips/footpaths or public access area
- ALWAYS check safe loadbearing weight when storing packs on structures

Note: Secondary handling increases the risk of panel damage. The repair of damage sustained during lifting and moving is the responsibility of the lifter. Where damage is excessive, panels must be replaced.

4.2 PANEL HANDLING

PANEL HANDLING

Hebel recommends using a trolley or other mechanical apparatus to move the panels around the work site. Manual handling where people physically move a panel should be kept to a minimum, with the weight being supported by an individual kept as small as possible. Any concerns regarding the weight to be handled should be discussed with the panel installation contractor.

To minimise the possibility of manual handling injuries, Hebel suggests the following:

- Use mechanical aids, such as trolleys, forklifts, cranes and levers, or team lifting to move panels.
- Keep the work place clean to reduce the risk of slips, trips and falls, which can cause injury.
- Plan the sequence of installation to minimise panel movements and avoid awkward lifts.
- Train employees in good lifting techniques to minimise the risk of injury.
- Storage and handling of Hebel PowerPanel⁵⁰ must be in accordance with the recommendations of CSR to ensure the safety of workers on site. The panels are only to be lifted on edge and not to be handled flat. When storing, the panel orientation must be horizontal with the long edge supported on timber bearers.

It is important to handle and store the panels as recommended above to ensure no overstress will occur.

Figure 4.2.1 Hebel Panel Lifters are used for positioning panel in wall.



Figure 4.2.2 Hebel Panel Trolleys for easier and safer handling and cutting of Hebel PowerPanels.

HEBEL HOIST

Building back-to-back compliant zero boundary walls on site has been largely unachievable using traditional techniques. The difficulty includes ensuring that the walls are positioned correctly without overstepping their boundaries and that the installation techniques adopted do not in any way compromise fire performance of these walls.

Due to these issues and others such as ensuring that acoustic performance (as a minimum) achieves similar performance as that required of intertenancy walls, CSR Hebel has developed an innovative hoisting solution that now makes it easy to install boundary walls and vastly improves the efficiency of installing intertenancy walls in areas with limited access.

This revolutionary patented lifting device attaches directly to the frame and features a rail and hoist which allows panels to be safely lifted, transported and placed precisely from above before being fixed from the inside of the building.

Suitable for steel or timber frames up to three storeys high, the Hebel Hoist allows builders to streamline their workflow by erecting all the frames first before installing the external panels. It also has the potential to allow builders to increase the footprint of their buildings by moving external walls right up to the boundary.

The Hebel Hoist is only available through trained and accredited Hebel installers. Please contact your local CSR Hebel sales representative or the Hebel customer service centre to discuss the opportunity to improve your efficiency and profitability using Hebel Hoist.



Figure 4.2.3 Hebel Hoist

HEALTH, SAFETY & PERSONAL PROTECTIVE EQUIPMENT (PPE)



Use PPE gloves and wear suitable clothing when handling Hebel panels and blocks. Hebel products are cement-based, and though the dust is not absorbed through the skin it may cause irritation – particularly in association with heat and sweat. Repeated heavy contact with the dust can result in skin rash, called dermatitis, which typically affects the hands. To minimise exposure to dust on your skin we recommend wearing gloves (standard duty leather or equivalent AS 2161).

Dust from cement-based products is irritating to the eyes, causing watering and redness with the potential to aggravate certain eye conditions. When cutting, sawing, abrading, chasing or crushing Hebel panels or blocks we advise you to wear safety glasses with side shields or safety goggles (AS 1336) or a face shield.

Approved respirators (AS/NZS 1715 and AS/NZS 1716) and eye protection (AS 1336) should be worn at all times when cutting and chasing.



CUTTING

The use of power tools when cutting concrete products may cause dust, which contains respirable crystalline silica, with the potential to cause bronchitis, silicosis and lung cancer after repeated and prolonged exposure without using the correct equipment and PPE.

Follow these recommendations when cutting Hebel AAC

Wet Cutting

- Wet cutting provides the lowest airborne concentration levels.
- Cut in an outdoor environment or a well-ventilated cutting room (with air movement of between 500 and 1000 m³/h).
- Use a circular saw with a retrofitted attachment with continuous water applied to the cutting surface and blade.
- Worker must be clean shaven and wear a fit tested P2 mask.
- Refer clean-up process below.

Dry Cutting - Dust Extraction

- Cut in outdoor environment or well-ventilated cutting room (with air movement of between 500 and 1000 m³/h).
- Plunge saw or circular saw (enclosed blade is preferred) fitted with on-tool dust extraction, M or H Class industrial vacuum.
- Cut 2-5mm from full thickness of panel and support with cutting board in place (cutting board prevents escape of any residual dust).
- Stand on the enclosed side of the saw shroud and upwind.
- Worker must be clean shaven and wear a fit tested P2 mask.

NO Controls = NO CUTTING

DO NOT CUT in uncontrolled cutting environments as exposure limits will be exceeded

- DO NOT dry cut without on tool local exhaust ventilation extraction.
- DO NOT cut with on tool extraction in an enclosed space without mechanical ventilation.
- DO NOT cut as P2 mask DOES NOT provide adequate protection, even when fit tested and clean shave. P2 mask must be used in conjunction with wet cutting or dust extraction/dry cutting method.
- DO NOT dry sweep.

Note: Steel reinforcement exposed during cutting must be coated with a liberal application of Hebel Anti-Corrosion Protection Paint.

CLEANING – AVOID THE GENERATION OF DUST

- Wet cutting - slurry must be mixed with a quarter of a bag of Hebel Adhesive to harden before disposal in trade waste.
- Place waste in a sealed bag or container and dispose as trade waste.
- Dust extraction – vacuum bag is sealed (double bag for additional safety) and safely disposed of with trade waste.
- Use vacuum system with class M or H HEPA filter fitted to clean up where required.
- Avoid dust creation (e.g. by wet sweeping).
- Worker must be clean shaven and wear a fit tested P2 mask.



Dispose of waste in sealed bag

M or H class filter.

Refer to the Hebel Safety Data Sheets for further information regarding health and safety.

www.hebel.com.au

<https://hebel.com.au/working-safely-hebel/>

4.3 DESIGN, DETAILING AND PERFORMANCE RESPONSIBILITIES

Hebel engages independent testing laboratories to test and report on the performance of a wall in accordance with the relevant Australian Standards. Consultants use these reports as the basis for opinions (estimates of laboratory performance) they issue for variations or different arrangements to the tested system, and also to design and specify walls that meet appropriate criteria for a particular project. Using their experience, the consultant will make judgement about on-site installed performance of various walls. The performance levels of walls documented in this guide are either what is reported in a test or the documented opinion of consultants. Performance in projects is typically the responsibility of:

PROJECT CONSULTANTS (STRUCTURAL, FIRE, ACOUSTIC, ETC.)

These consultants are typically responsible for the following:

- Opinions on expected laboratory performance of wall configurations that vary from actual test configuration, such as substitution products and components
- Judgements about expected field performance using laboratory test reports and practical experience
- Design, specification and certification of structural, fire, acoustic, durability, weather tightness and any other required performance criteria for individual projects

This involves the design and selection of building elements, such as wall and floors and their integration into the building considering the following:

- Interface of different building elements and to the structure / substrate
- Wall and floor junctions
- Penetrations
- Flashing issues
- Room / building geometry
- Acoustic and water penetration field-testing.

PROJECT CERTIFIER AND/OR BUILDER

These professionals are typically responsible for:

- Identifying the performance requirements for the project in accordance with the National Construction Code and clearly communicating this to the relevant parties.
- Applicability of any performance characteristics supplied by Hebel including test and opinions for the project.
- The project consultant's responsibilities detailed above if one is not engaged in the project.

Hebel does not provide consulting services. Hebel only provides information that has been prepared by others and therefore shall not be considered experts in the field.

Any party using the information contained in this guide or supplied by Hebel in the course of a project must satisfy themselves that it is true, current and appropriate for the application, consequently accepting responsibility for its use.

It is the responsibility of the architectural designer and engineering parties to ensure that the details in this design guide are appropriate for the intended application.

The recommendations in this guide are formulated along the lines of good building practice, but are not intended to be an exhaustive statement of all relevant data.

Hebel is not responsible for the performance of constructed walls, including field performance, and does not interpret or make judgements about performance requirements in the NCC.

APPENDIX A: HEBEL POWERPANEL⁵⁰ MATERIAL PROPERTIES

A.1 Manufacturing tolerances

Length	±5mm
Width	±1.5mm
Thickness	±1.5mm
Diagonals (max.)	5mm
Edge Straightness Deviation (max.)	1.5mm

A.2 PowerPanel⁵⁰ physical properties

- Hebel PowerPanel⁵⁰ profile and nominal dimensions are shown in the Design and selection details: Systems components section
- Panel reinforcement for up to 2700mm panel length is a single layer of steel mesh with 5 longitudinal wires of 4mm or 4.5mm diameter
- Panel reinforcement between 2700mm – 3000mm panel length is a single layer of steel mesh with 5 longitudinal wires of 4.5mm or 5mm diameter
- Nominal dry density = 510 kg/m³
- Average working density = 689 kg/m³ at 35% moisture content
- Average service life density = 561 kg/m³ at 10% moisture content

A.3 PowerPanel⁵⁰ strength properties

- Characteristic Compressive Strength or AAC, $f'_{cm} = 2.8$ MPa
- Average Compressive Strength of AAC = 3.2 MPa
- Characteristic Modulus of Rupture, $f'_{ut} = 0.6$ MPa

A.4 PowerPanel⁵⁰ acoustic properties

- Panel only with no plasterboard or other lining
 $R_w = 35$ dB, $R_w + C_{tr} = 31$ dB. State Acoustic Logic report 20130786.1/0209A/R0/GW

A.5 PowerPanel⁵⁰ thermal properties

- R-Value of PowerPanel⁵⁰ with no plasterboard or other lining = 0.313m².K/W (4% moisture content)

A.6 Fire Resistance Level (FRL) Ratings

- For fire performance characteristics of Hebel PowerPanel⁵⁰, refer to the System performance: Fire resistance performance section

ASSESSMENT METHODS

Test Reports

Assessment reports on the PowerPanel⁵⁰ External Wall System have been prepared in accordance with relevant Australian Standards.

Fire assessments reports have been issued by CSIRO.



CSR HEBEL

Triniti 3, 39 Delhi Road
North Ryde NSW 2113, Australia
Telephone +61 2 9235 8000

Health & safety

Information on any known health risks of our products and how to handle them safely is on product packaging and / or the accompanying documentation.

Additional information is listed in the Safety Data Sheet (SDS). To obtain a copy of a SDS, download from www.hebel.com.au. Contractors are required by law to perform their own risk assessments before undertaking work.

Performance & certification

Hebel® products and systems are developed in Australia by CSR Building Products. ABN. 55 008 631 356. It is a manufacturer and supplier of Hebel Autoclaved Aerated Concrete (AAC) products. Because it is a manufacturer and supplier only, CSR does not employ people qualified as Accredited or Principal Certifiers.

CSR is therefore unable to provide Construction Compliance Certificates or Statements of Compliance. CSR conducts appropriate testing of its products and systems to determine performance levels. These include structural, fire and acoustic tests. Testing is conducted and certified by appropriate specialists in these fields. When using Hebel products and systems in specific projects, such specialists should be consulted to ensure compliance with the Building Code of Australia and relevant Australian Standards.

Disclaimer

The products referred to in this document have been manufactured by or on behalf of CSR Building Products Limited ("CSR") to comply with the Building Code of Australia and any relevant Australian Standards. While any design or usage guidelines set out in this document have been prepared in good faith by CSR, they are of a general nature only and are intended to be used in conjunction with project specific design and engineering advice.

It is the responsibility of the customer to ensure that CSR's products are suitable for their chosen application, including in respect of project-specific matters such as, but not limited to structural adequacy, acoustic, fire resistance/combustibility, thermal, and weatherproofing requirements. All information relating to design/installation/application of these products is offered without warranty and no responsibility can be accepted by CSR for errors and omissions, or for any use of the relevant products not in accordance with CSR's technical literature or any other relevant industry standards. For current technical and warranty documentation relating to CSR's products, visit www.hebel.com.au

Other

The design of a wall, floor or fence system requires the services of professional consultants. This document has been prepared as a source of information to provide general guidance to those consultants – and in no way replaces the services of the professional consultant and relevant engineers designing the project.

No liability can therefore be accepted by CSR or other parties for the use of this document. Hebel products and systems undergo constant research and development to integrate new technology and reflect ongoing performance enhancement.

Hebel systems are constantly reviewed so as to reflect any changes in legislative building requirements and or general developments in common building practice, due to our commitment to continual development and improving our building systems.

We advise that all users of this document should regularly check that this document is current, and they are applying our latest design information.

The latest editions of our documents are available on our website:

www.hebel.com.au

Hebel® is a registered trademark of the Xella group. CSR Building Products Ltd is an exclusive licensee of Xella. CSR Hebel is a business of CSR Building Products Ltd ABN 55 008 631 356.

CSR, PowerPanel®, PowerClad®, Hebel Block®, PowerFloor®, Hebel Floor®, PowerFence®, HighBuild®, are registered trademarks of CSR Building Products Limited.

THE BETTER WAY TO BUILD

Hebel is a quality building product, and is backed by CSR Building Products Limited.

For more information visit our website:

www.hebel.com.au

For sales enquiries or further information, please telephone us from anywhere in Australia:

1300 369 448

Working Safely with Hebel

www.hebel.com.au/working-safely-hebel/

